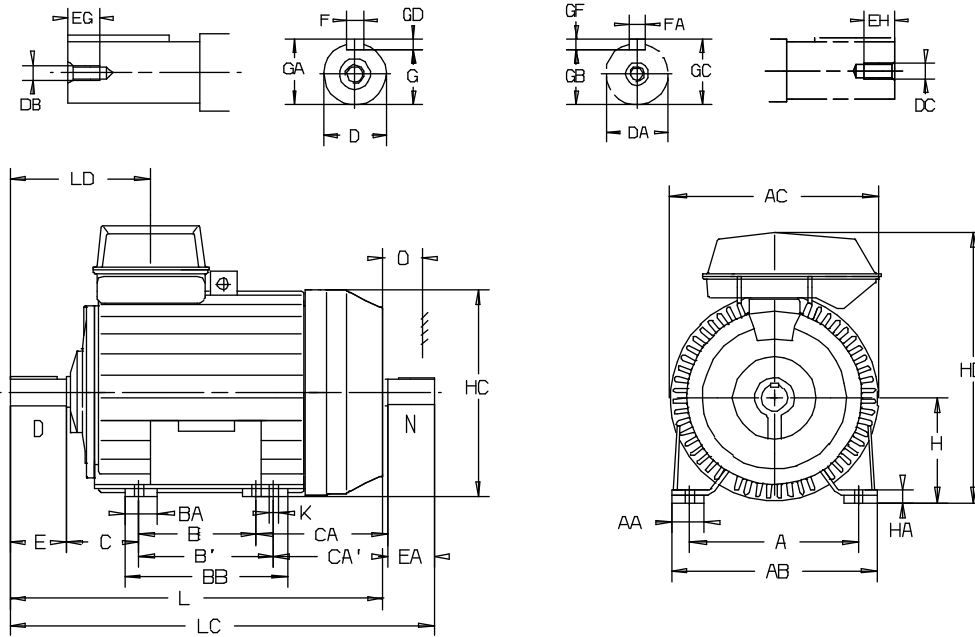


Dimension drawing

M2CA 355 - 400

Foot-mounted; IM B3 (IM1001), IM B6 (IM1051), IM B7 (IM1061),
IM B8 (IM1071), IM V5 (IM1011), IM V6 (IM1031)

Steel motors with
top-mounted terminal box



Type M2CA	Poles 2) ¹⁾	A 1) ¹⁾ b	AA n	AB f	AC g	B 1) ¹⁾ a	B'	BA m	BB e	C w1	CA w2	CA'	D 1) ¹⁾ d	DA 1) ¹⁾ d1	DB d6	DC d7	E l	EA l1	EG	EH
355 SA,SB	2	610	110	714	720	500	-	100	584	254	416	-	70	70	M20	M20	140	140	40	40
	4-8	610	110	714	720	500	-	100	584	254	416	-	100	90	M24	M20	210	170	48	48
355 MA	2	610	110	714	720	560	-	100	644	254	416	-	70	70	M20	M20	140	140	40	40
	4-8	610	110	714	720	560	-	100	644	254	416	-	100	90	M24	M24	210	170	48	48
355 MB	2	610	110	714	720	560	-	100	644	254	416	-	70	70	M20	M20	140	140	40	40
	4-8	610	110	714	720	560	-	100	644	254	416	-	100	90	M24	M24	210	170	48	48
355 LA	2	610	110	714	720	630	-	100	714	254	426	-	70	70	M20	M20	140	140	40	40
	4-8	610	110	714	720	630	-	100	714	254	426	-	100	90	M24	M24	210	170	48	48
355 LB	2	610	110	714	720	630	-	100	714	254	426	-	70	70	M20	M20	140	140	40	40
	4-8	610	110	714	720	630	-	100	714	254	426	-	100	90	M24	M24	210	170	48	48
355 LKD	2	610	110	714	720	630	710	100	802	254	583	503	100	90	M24	M24	210	170	48	48
	4-8	610	110	714	720	630	710	100	802	254	583	503	100	90	M24	M24	210	170	48	48
400 MLA	2	686	140	820	810	630	710	140	850	280	583	503	80	70	M20	M20	170	140	40	40
	4-8	686	140	820	810	630	710	140	850	280	583	503	100	90	M24	M24	210	170	48	48
400 MLB	2	686	140	820	810	630	710	140	850	280	583	503	80	70	M20	M20	170	140	40	40
	4-8	686	140	820	810	630	710	140	850	280	583	503	100	90	M24	M24	210	170	48	48
400 LKA	2	686	140	820	810	710	800	140	935	280	643	553	80	70	M20	M20	170	140	40	40
	4-8	686	140	820	810	710	800	140	935	280	643	553	100	90	M24	M24	210	170	48	48
400 LKB	2	686	140	820	810	710	800	140	935	280	643	553	80	70	M20	M20	170	140	40	40
	4-8	686	140	820	810	710	800	140	935	280	643	553	100	90	M24	M24	210	170	48	48

Type M2CA	Poles 2) ¹⁾	F 1) ¹⁾ u	FA 1) ¹⁾ u1	G t	GA	GB	GC	GD	GF	H 1) ¹⁾ h	HA c	HC	HD p	K s	L k	LC k1	LD	O 3) ¹⁾
355 SA,SB	2	20	20	62.5	74.5	62.5	74.5	12	12	355	36	715	920	28	1310	1460	392	130
	4-8	28	25	90	106	81	95	16	14	355	36	715	920	28	1380	1560	462	130
355 MA	2	20	20	62.5	74.5	62.5	74.5	12	12	355	36	715	920	28	1370	1520	392	130
	4-8	28	25	90	106	81	95	16	14	355	36	715	920	28	1440	1620	462	130
355 MB	2	20	20	62.5	74.5	62.5	74.5	12	12	355	36	715	920	28	1370	1520	392	130
	4-8	28	25	90	106	81	95	16	14	355	36	715	920	28	1440	1620	462	130
355 LA	2	20	20	62.5	74.5	62.5	74.5	12	12	355	36	715	920	28	1450	1600	392	130
	4-8	28	25	90	106	81	95	16	14	355	36	715	920	28	1520	1700	462	130
355 LB	2	20	20	62.5	74.5	62.5	74.5	12	12	355	36	715	920	28	1450	1600	392	130
	4-8	28	25	90	106	81	95	16	14	355	36	715	920	28	1520	1700	462	130
355 LKD	2	20	20	62.5	74.5	62.5	74.5	12	12	355	36	715	920	28	1660	1847	462	130
	4-8	28	25	90	106	81	95	16	14	355	36	715	920	28	1660	1847	462	130
400 MLA	2	22	20	71	85	62.5	74.5	14	12	400	45	805	1003	35	1646	1803	438	150
	4-8	28	25	90	106	81	95	16	14	400	45	805	1003	35	1686	1873	478	150
400 MLB	2	22	20	71	85	62.5	74.5	14	12	400	45	805	1003	35	1646	1803	438	150
	4-8	28	25	90	106	81	95	16	14	400	45	805	1003	35	1686	1873	478	150
400 LKA	2	22	20	71	85	62.5	74.5	14	12	400	45	805	1003	35	1786	1943	438	150
	4-8	28	25	90	106	81	95	16	14	400	45	805	1003	35	1826	2013	478	150
400 LKB	2	22	20	71	85	62.5	74.5	14	12	400	45	805	1003	35	1786	1943	438	150
	4-8	28	25	90	106	81	95	16	14	400	45	805	1003	35	1826	2013	478	150

¹⁾ Tolerances:
A, B ISO js14
D, DA ISO m6
F, FA ISO h9
H ISO 0, -1.0

²⁾ Dimensions for 4-pole motors also valid for 4/6- and 4-8 -pole two-speed motors.

³⁾ Cooling distance.

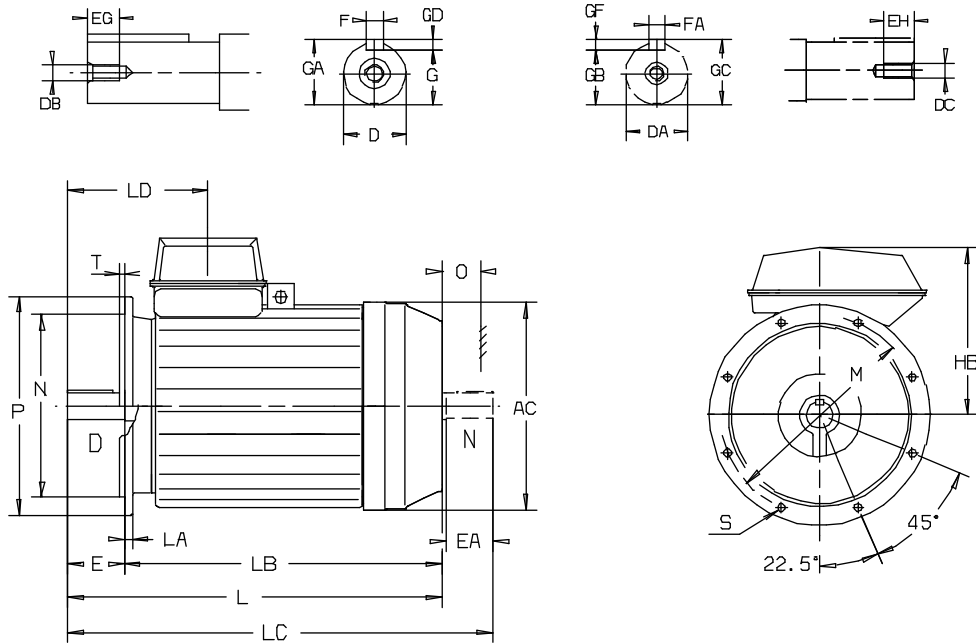
Capital letters acc. to IEC 72,
small letters acc. to DIN 42673.
Dimensions for terminal boxes on page 30,
for protection roofs on page 31.

Dimension drawing

M2CA 280 - 315

Flange-mounted;
IM B5 (IM3001), IM V1 (IM3011), IM V3 (IM3031)

Steel motors



Type M2CA	Poles ²⁾	AC	D ₁₎	DA ₁₎	DB	DC	E	EA	EG	EH	F ₁₎	FA ₁₎	G	GA	GB	GC
		g	d	d1	d6	d7	l	l1			u	u1		t		t1
280 SA	2	555	65	60	M20	M20	140	140	40	40	18	18	58	69	53	64
	4-8	555	75	65	M20	M20	140	140	40	40	20	18	67.5	79.5	58	69
280 SMA	2	555	65	60	M20	M20	140	140	40	40	18	18	58	69	53	64
	4-8	555	75	65	M20	M20	140	140	40	40	20	18	67.5	79.5	58	69
280 MB	2	555	65	60	M20	M20	140	140	40	40	18	18	58	69	53	64
	4-8	555	75	65	M20	M20	140	140	40	40	20	18	67.5	79.5	58	69
315 SA	2	624	65	60	M20	M20	140	140	40	40	18	18	58	69	53	64
	4-8	624	80	75	M20	M20	170	140	40	40	22	20	71	85	67.5	79.5
315 SMA	2	624	65	60	M20	M20	140	140	40	40	18	18	58	69	53	64
	4-8	624	80	75	M20	M20	170	140	40	40	22	20	71	85	67.5	79.5
315 MB	2	624	65	60	M20	M20	140	140	40	40	18	18	58	69	53	64
	4-8	624	80	75	M20	M20	170	140	40	40	22	20	71	85	67.5	79.5
315 LA	2	624	65	60	M20	M20	140	140	40	40	18	18	58	69	53	64
	4-8	624	90	75	M24	M20	170	140	48	40	25	20	81	95	67.5	79.5

Type M2CA	Poles ²⁾	GD	GF	HB	L	LA	LB	LC	LD	M	N ₁₎	O ₃₎	P	S	T
					k	c1		k1		e	b1		a1	s1	f1
280 SA	2	11	11	450	1060	22	920	1210	385	500	450	100	550	18	5
	4-8	12	11	450	990	22	850	1140	385	500	450	100	550	18	5
280 SMA	2	11	11	450	1060	22	920	1210	385	500	450	100	550	18	5
	4-8	12	11	450	1060	22	920	1210	385	500	450	100	550	18	5
280 MB	2	11	11	450	1120	22	980	1270	385	500	450	100	550	18	5
	4-8	12	11	450	1120	22	980	1270	385	500	450	100	550	18	5
315 SA	2	11	11	505	1095	25	955	1245	390	600	550	115	660	23	6
	4-8	14	12	505	1125	25	955	1275	420	600	550	115	660	23	6
315 SMA	2	11	11	505	1195	25	1055	1345	390	600	550	115	660	23	6
	4-8	14	12	505	1125	25	955	1275	420	600	550	115	660	23	6
315 MB	2	11	11	505	1195	25	1055	1345	390	600	550	115	660	23	6
	4-8	14	12	505	1225	25	1055	1375	420	600	550	115	660	23	6
315 LA	2	11	11	505	1265	25	1125	1415	390	600	550	115	660	23	6
	4-8	14	12	505	1295	25	1125	1445	420	600	550	115	660	23	6

¹⁾ Tolerances:
D, DA ISO m6
F, FA ISO h9
N ISO j6

²⁾ Dimensions for 4-pole motors also valid for 4/6- and 4-8 -pole two-speed motors.

³⁾ Cooling distance.

Capital letters acc. to IEC 72,
small letters acc. to DIN 42673.
Dimensions for terminal boxes on page 30,
for protection roofs on page 31.