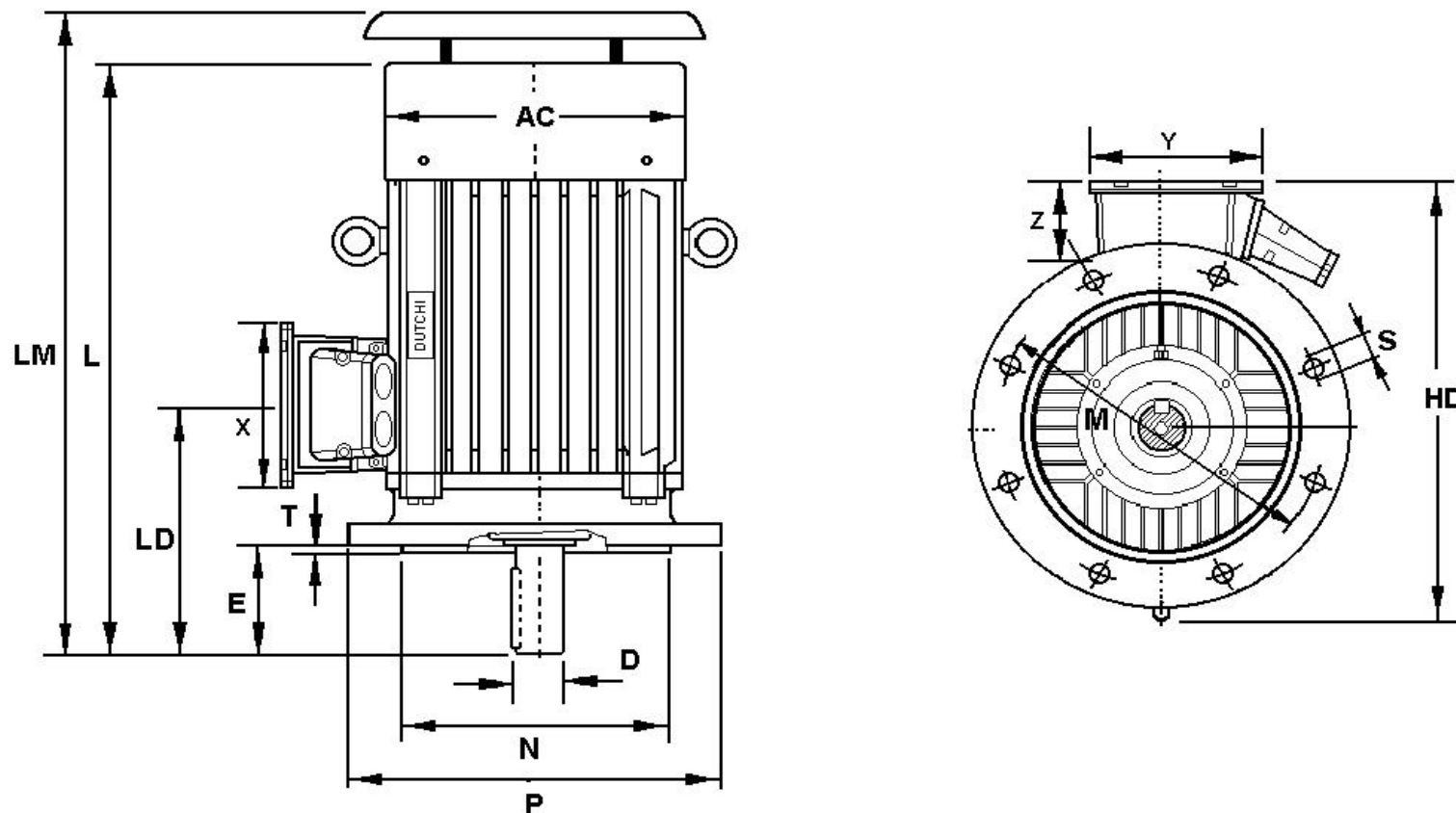


		afmetingen in mm				Abmessungen im mm				dimensions in mm				dimension en mm												
TYPE & POLES		A	AA	AB	AC	B ¹	B ²	BB	C	D	DB	E	F	G	GD	H	HA	HD	K	L	LD	Eyebolt	IPE	X	Y	Z
DM1	355 M	610	116	726	710	500	560	750	254	80m6	M20	170	22	71	14	355	52	1010	∅ 28	1525	327	M36	max. 2x∅ 70 mm	360	487	200
DM1	355 M(X,Y)					4 / 6 / 8	100m6			M24	210	28	90	16	1565											
DM1	355 L(X,Y)					2	80m6			M20	170	22	71	14	1525											
DM1	355 L(X,Y)					4 / 6 / 8	100m6			M24	210	28	90	16	1565											
DM1	400 M(X)	686	120	806	810	630	710	1090	280	110m6	M24	210	28	100	18	400	45	1075	∅ 35	1881	362	2 * M36	max. 2x∅ 100mm + 7 x M63 x 1,5	430	485	225
DM1	400 L(X,Y)					4 / 6 / 8	1881																			

DM1 355 - 400 : V1



afmetingen in mm		Abmessungen in mm											dimensions in mm						
TYPE & POLES		AC	D	E	H	HD	L	LD	LM	M	N	P	S	T	Eyebolt	IPE	X	Y	Z
DM1 355 M	2	710	80m6	170	355	1145	1525	327	1663	740	680	800	8*24	6	M36	max. 2xØ 70 mm	360	487	200
DM1 355 M(X,Y)	4 / 6 / 8		100m6	210			1565		1700										
DM1 355 L(X,Y)	2		80m6	170			1525		1663										
DM1 355 L(X,Y)	4 / 6 / 8		100m6	210			1565		1700										
DM1 400 M(X)	4 / 6 / 8	810	110m6	210	400	1244	1881	362	1981	940	880	1000	8*28	6	2 * M36	max. 2xØ 100mm	430	485	225
DM1 400 L(X,Y)	4 / 6 / 8															+ 7 x M63 x 1,5			

Eye bold for series DM1 355 - 400 only for mounting IM V1 positioned to NDE side for automatic turning to vertical position by lifting.

We make all efforts to better our products. Versions, technical data and figures could be changed therefore. They are always not binding before written confirmation.

1710001301