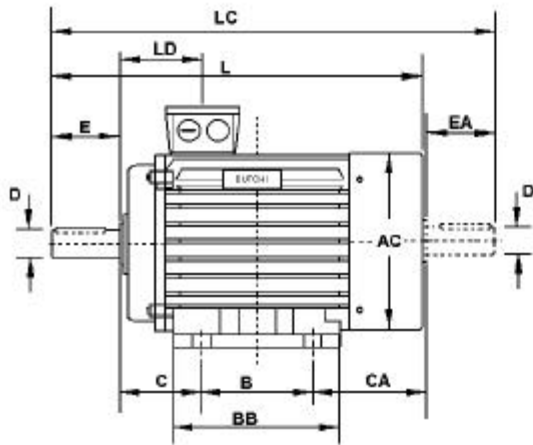
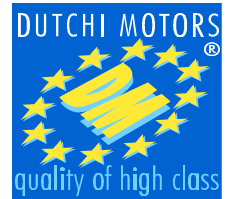
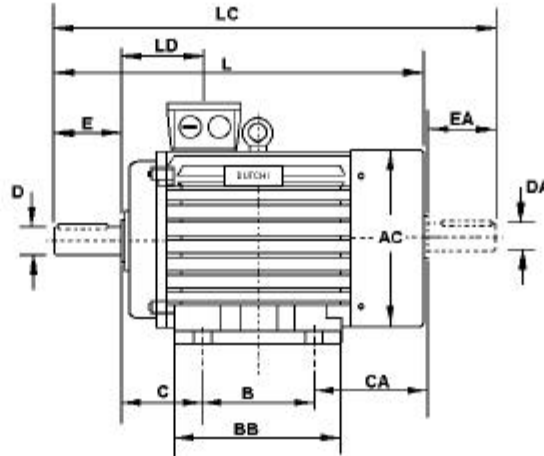


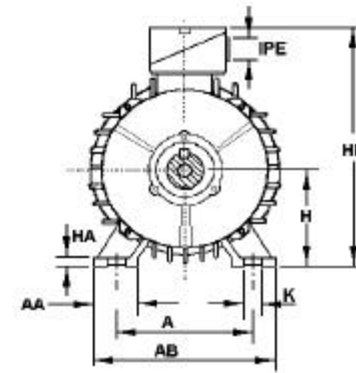
DM1 : B3



DM1-80 tili DM1-90



DM1-100 tili DM1-315



DM1-80 tili DM1-315

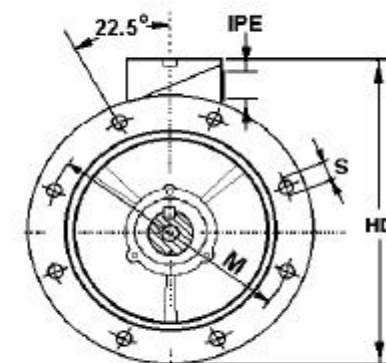
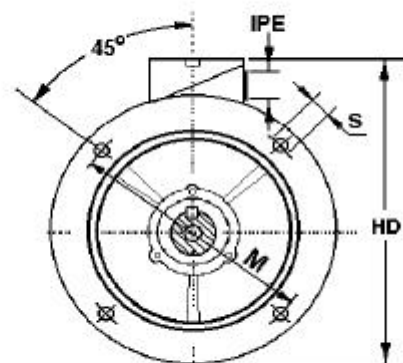
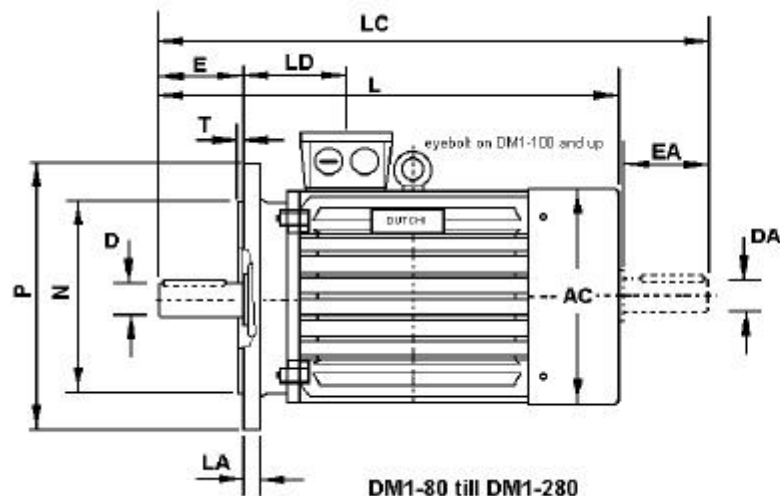
Schaftdimensionen
see next page.

| afmetingen in mm | | Abmessungen in mm | | | | | | | | dimensions in mm | | | | dimensions en mm | | | | | | | | | | | | | |
|------------------|---------------|-------------------|------|------|------|------|------|------|------|------------------|------|------|------|------------------|------|-----|-----|------|------|-----|-------------|------|------|------|------|------|------|
| Type | Poles | A | AA | AB | AC | B | BB | C | CA | D | DA | E | EA | H | HA | HD | K | L | LC | LD | | | | | | | |
| DM1 80 K / G | 2 / 4 / 6 / 8 | 125 | 34 | 160 | 157 | 100 | 130 | 50 | 108 | 19j6 | 19j6 | 40 | 40 | 80 | 12 | 222 | 10 | 278 | 322 | 72 | | | | | | | |
| DM1 90 S | | 140 | | 180 | 174 | | 140 | 56 | 112 | 24j6 | 24j6 | 50 | 50 | 90 | | 241 | | 315 | 368 | 75 | | | | | | | |
| DM1 90 L | | 125 | | 165 | 340 | | 393 | | | | | | | | | | | | | | | | | | | | |
| DM1 100 L / LX | | 160 | | 40 | 200 | | 195 | 140 | 176 | 63 | 125 | 28j6 | 28j6 | 60 | | 60 | | 100 | 14 | 266 | 12 | 375 | 438 | 83 | | | |
| DM1 112 M | | 190 | 45 | 230 | 220 | | 180 | 70 | 133 | | | | | 112 | 17 | 300 | | 399 | 463 | 92 | | | | | | | |
| DM1 132 S / SX | | 216 | 55 | 262 | 256 | | 191 | 89 | 164 | | | | | 38k6 | 38k6 | 80 | | 80 | 132 | 18 | 345 | 465 | 548 | 96 | | | |
| DM1 132 M | | 178 | 229 | 166 | 503 | | 586 | | | | | | | | | | | | | | | | | | | | |
| DM1 160 M / MX | | 254 | 65 | 314 | 314 | 210 | 260 | 108 | 190 | 42k6 | 42k6 | 110 | 110 | 160 | 20 | 412 | 15 | 600 | 713 | 145 | | | | | | | |
| DM1 160 L | | 254 | 300 | 201 | 640 | 753 | | | | | | | | | | | | | | | | | | | | | |
| DM1 180 M | | 279 | 70 | 350 | 358 | 241 | 310 | 121 | 231 | 48k6 | 48k6 | | | 180 | 22 | 453 | | 688 | 801 | 160 | | | | | | | |
| DM1 180 L | 279 | 350 | 233 | 728 | 841 | | | | | | | | | | | | | | | | | | | | | | |
| DM1 200 L / LX | 2 | 318 | | 390 | 397 | 305 | 369 | 133 | 225 | 55m6 | 48k6 | | | | | 200 | | 25 | 505 | 19 | 760 | 873 | 185 | | | | |
| DM1 200 L / LX | 4 / 6 / 8 | | | 75 | 431 | 446 | 286 | 368 | 149 | 243 | 60m6 | 55m6 | | | | | 225 | 28 | 549 | | 807 | 920 | | | | | |
| DM1 225 S | 4 / 8 | | | 311 | 393 | 253 | 55m6 | 48k6 | 110 | 802 | 915 | | | | | | | | | | | | | | | | |
| DM1 225 M | 2 | | 248 | 60m6 | 55m6 | 140 | 832 | 945 | | | | | | | | | | | | | | | | | | | |
| DM1 250 M | 2 | 406 | 80 | 484 | 485 | 349 | 445 | 168 | 256 | 65m6 | | | | 250 | 30 | 617 | 24 | 910 | 1023 | 206 | | | | | | | |
| DM1 250 M | 4 / 6 / 8 | | | | | | | | | | | | | | | | | | | | | | | | | | |
| DM1 280 S | 2 | | | | | | | | | | | | | | | | | | | | 457 | 85 | 542 | 547 | 368 | 490 | 190 |
| DM1 280 S | 4 / 6 / 8 | 140 | 982 | 1127 | | | | | | | | | | | | | | | | | | | | | | | |
| DM1 280 M | 2 | 419 | 540 | 299 | 65m6 | 55m6 | 110 | 1035 | 1150 | | | | | | | | | | | | | | | | | | |
| DM1 280 M | 4 / 6 / 8 | 508 | 120 | 628 | 620 | 406 | 570 | 216 | 401 | 65m6 | 65m6 | | | 315 | 49 | 870 | 28 | 1190 | 1335 | 255 | | | | | | | |
| DM1 315 S | 2 | | | | | | | | | | | | | | | | | | | | 481 | 80m6 | 80m6 | 170 | 170 | 1220 | 1395 |
| DM1 315 S | 4 / 6 / 8 | | | | | | | | | | | | | | | | | | | | 457 / 508** | 680 | 380 | 65m6 | 65m6 | 140 | 140 |
| DM1 315 M | 2 | 460 | 80m6 | 80m6 | 170 | 170 | 1330 | 1505 | | | | | | | | | | | | | | | | | | | |
| DM1 315 M | 4 / 6 / 8 | 329 | 65m6 | 65m6 | 140 | 140 | 1300 | 1445 | | | | | | | | | | | | | | | | | | | |
| DM1 315 L / LX | 2 | | | | | | | | 409 | 80m6 | 80m6 | 170 | 170 | 1330 | 1505 | | | | | | | | | | | | |
| DM1 315 L / LX | 4 / 6 / 8 | | | | | | | | | | | | | | | | | | | | | | | | | | |

* IPE = can be delivered in PG or in Metric.

** DM1 315 M and L/LX double footholes on Non-driving end.

We make all efforts to better our products. Versions, technical data and figures could be changed therefore. They are always not binding before written confirmation.



| afmetingen in mm | | Abmessungen in mm | | | | | | | | | | dimensions in mm | | | dimensions en mm | | | | | |
|------------------|---------------|-------------------|------|------|------|-----|-----|-----|------|------|------|------------------|-------|-------|------------------|------|-------------------------------|-------------------------------|--------|--|
| Type | Poles | AC | D | DA | E | EA | HD | L | LA | LC | LD | M | N | P | S | T | IPE * | FLANGE | | |
| DM1 80 K / G | 2 / 4 / 6 / 8 | 157 | 19j6 | 19j6 | 40 | 40 | 245 | 278 | 12 | 322 | 72 | 165 | 130j6 | 200 | 4Ø12 | 3.5 | 2 x Pg 16 / 2 x M 25 x 1,5 | FF 165 | | |
| DM1 90 S | | 174 | 24j6 | 24j6 | 50 | 50 | 252 | 315 | | 368 | 75 | | | | | | | | | |
| DM1 90 L | | | | | | | 340 | | 393 | | | | | | | | | | | |
| DM1 100 L / LX | | | 195 | 28j6 | 28j6 | 60 | 60 | 290 | 375 | 13 | 438 | 83 | 215 | 180j6 | 250 | 4Ø15 | 4 | 2 x Pg 21 / 2 x M 32 x 1,5 | FF 215 | |
| DM1 112 M | | | 220 | | | | | 310 | 399 | 13.4 | 463 | 92 | | | | | | | | |
| DM1 132 S / SX | | | 256 | 38k6 | 38k6 | 80 | 80 | 363 | 465 | 14.2 | 548 | 96 | 265 | 230j6 | 300 | | | | FF 265 | |
| DM1 132 M | | | | | | | | 503 | | 586 | | | | | | | | | | |
| DM1 160 M / MX | | | 314 | 42k6 | 42k6 | 110 | 110 | 425 | 600 | | 713 | 145 | 300 | 250j6 | 350 | 4Ø19 | 5 | 2 x Pg 29 / 2 x M 40 x 1,5 | FF 300 | |
| DM1 160 L | | | | | | | | 640 | | 753 | | | | | | | | | | |
| DM1 180 M | | | 358 | 48k6 | 48k6 | | | 448 | 688 | 15.8 | 801 | 160 | | | | | | | | |
| DM1 180 L | | | | | 728 | | | | 841 | | | | | | | | | | | |
| DM1 200 L / LX | 2 | 397 | 55m6 | 48k6 | | | 503 | 760 | 16.5 | 873 | 185 | 350 | 300h6 | 400 | | | 2 x Pg 36 / 2 x M 50 x 1,5 | FF 350 | | |
| DM1 200 L / LX | 4 / 6 / 8 | | | 55m6 | | | | | | | | | | | | | | | | |
| DM1 225 S | 4 / 8 | 446 | 60m6 | | 140 | | 549 | 807 | 20.1 | 920 | | 400 | 350h6 | 450 | 8Ø19 | | | FF 400 | | |
| DM1 225 M | 2 | | 55m6 | 48k6 | 110 | | | 802 | | 915 | | | | | | | | | | |
| DM1 225 M | 4 / 6 / 8 | | 60m6 | 55m6 | 140 | | | 832 | | 945 | | | | | | | | | | |
| DM1 250 M | 2 | 485 | | | | | 645 | 910 | 22.5 | 1023 | 206 | 500 | 450h6 | 550 | | | 2 x Pg 42 / 2 x M 63 x 1,5 | FF 500 | | |
| DM1 250 M | 4 / 6 / 8 | | 65m6 | | | | | | | | | | | | | | | | | |
| DM1 280 S | 2 | 547 | | | | | 664 | 974 | 20.6 | 1090 | 215 | | | | | | | | | |
| DM1 280 S | 4 / 6 / 8 | | 75m6 | 60m6 | | 140 | | | 982 | | 1127 | | | | | | | | | |
| DM1 280 M | 2 | | 65m6 | 55m6 | | 110 | | | 1035 | | 1150 | | | | | | | | | |
| DM1 280 M | 4 / 6 / 8 | | | 75m6 | 60m6 | | | | 1035 | | 1180 | | | | | | | | | |
| DM1 280 M | 2 | | | | | | | | | | | | | | | | | | | |

* IPE = can be delivered in PG or in Metric.

We make all efforts to better our products. Versions, technical data and figures could be changed therefore. They are always not binding before written confirmation.