

AC centrifugal blowers and fans

single inlet, Ø 140



- **Material:** scroll housing made of die-cast aluminium, impeller made of galvanised sheet steel

ebm-papst • Mulfingen

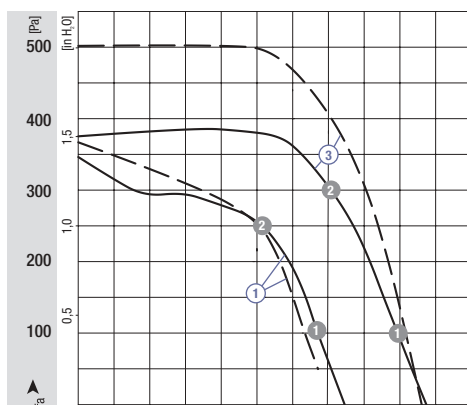
Nominal data		Characteristic	Voltage	Frequency	Air flow	Speed/rpm	Power input	Current draw	Capacitor	Noise level	Min. back pressure	Perm. amb. temp.	Mass
Type	Motor		VAC	Hz	m ³ /h	min ⁻¹	W	A	µF/VDB	dB(A)	Pa	°C	kg
G2E 140-AE77 -01	M2E 068-BF	①	230	50	370	1400	105	0,46	2,0/450	59	0	40	2,6
R2E 140-AE77 -05			230	60	335	1500	115	0,51	2,0/450	57	50	45	1,2
G2E 140-AL40 -01	M2E 068-CF	②	230	50	385	1650	135	0,60	2,0/400	63	0	55	3,0
R2E 140-AL40 -05			230	60	305	1700	145	0,64	2,0/400	60	100	40	1,7
G2E 140-AI28 -01	M2E 068-DF	③	230	50	485	2400	160	0,70	4,0/400	72	0	70	2,6
R2E 140-AI28 -05			230	60	480	2350	205	0,90	4,0/400	71	0	45	2,1

subject to alterations

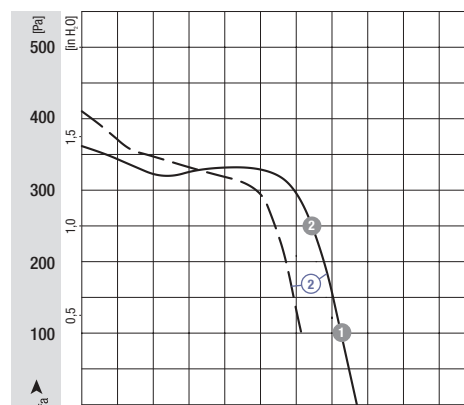
	n [min ⁻¹]	P ₁ [W]
① ①	1700	98
① ②	2100	89
③ ①	2485	148
③ ②	2630	128

	n [min ⁻¹]	P ₁ [W]
② ①	1900	128
② ②	2200	117

Characteristics

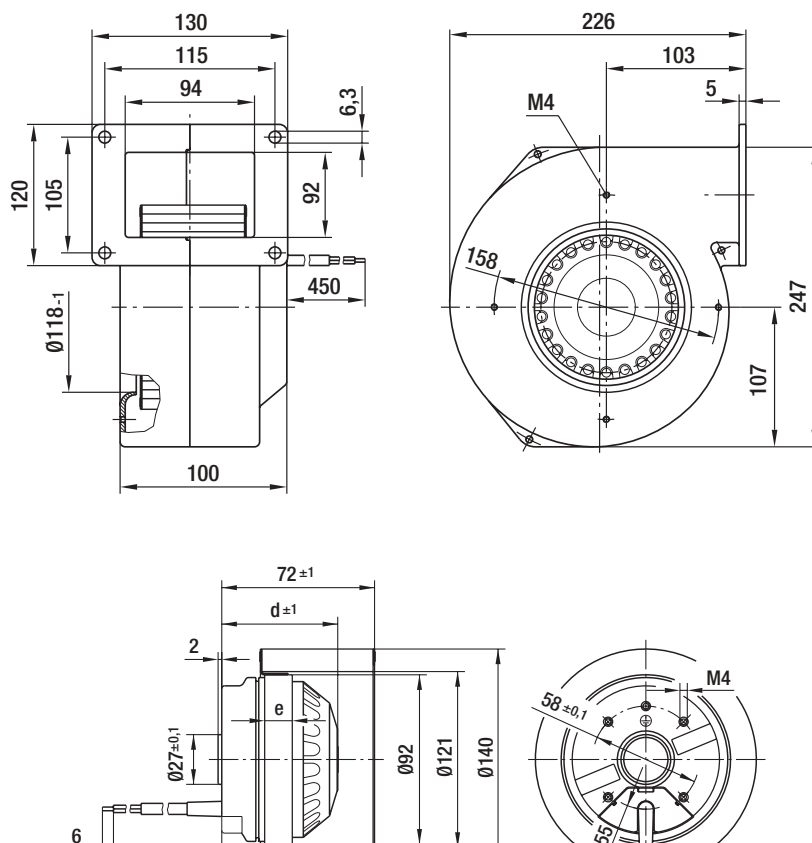


Characteristics



Dimensions

Type	d	e
G2E 140-AE77 -01 R2E 140-AE77 -05	63	15
G2E 140-AL40 -01 R2E 140-AL40 -05	73	25
G2E 140-AI28 -01 R2E 140-AI28 -05	83	35



AC centrifugal blowers

single inlet, Ø 140

- **Material:** scroll housing and impeller made of heat-resistant plastic



ebm-papst • Mulfingen

Nominal data		Characteristic	Voltage	Frequency	Air flow	Speed/rpm	Power input	Current draw	Capacitor	Noise level	Min. back pressure	Perm. amb. temp.	Mass
Type	Motor		VAC	Hz	m ³ /h	min ⁻¹	W	A	µF/VDB	dB(A)	Pa	°C	kg
G2E 140-NS38 -01	M2E 068-BF	①	230	50	370	1650	105	0,46	2,0/400	59	0	55	1,6
			230	60	315	1700	115	0,51	2,0/400	57	50	40	

subject to alterations

	n [min ⁻¹]	P ₁ [W]
① ①	1910	98
① ②	2280	86

Characteristics

