

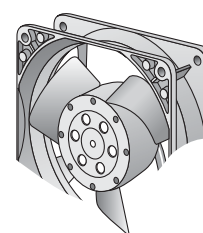
# AC Axial Fans

Series 4000 N 119 x 119 x 38 mm

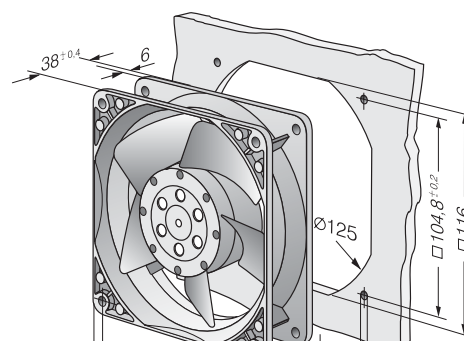
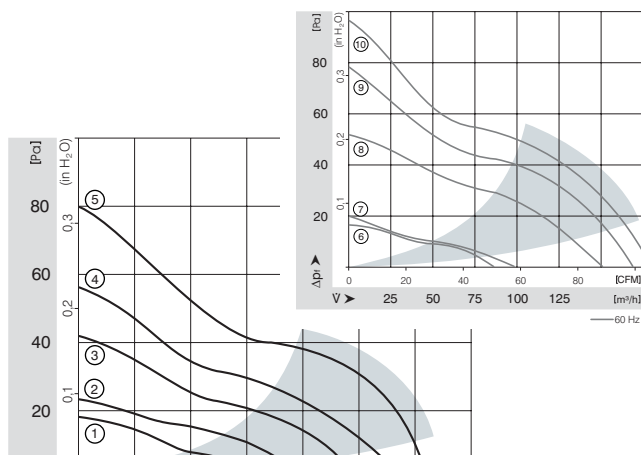


- AC fans with external rotor shaded-pole motor. Impedance protected against overloading.
- Metal fan housing and impeller
- Air intake over struts. Rotational direction CW looking at rotor. Types 4890 N and 4840 N air exhaust over struts.
- Electrical connection via 2 flat pins 3.0 x 0.5 mm.
- Also available: Models with mounting bosses and single leads.
- Fan housing with ground lug for screw M 4 and UNC.
- Mass: 550 g.

Nominal Data		Air Flow	Air Flow	Nominal Voltage	Frequency	Noise		Sinter-Sleeve Bearings Ball Bearings	Power Input	Nominal Speed	Temperature Range	Service Life L <sub>10</sub> at 40 °C	at T <sub>max</sub>	Curve
Type		m <sup>3</sup> /h	CFM	V	Hz	dB(A)	Bel	□/■	Watt	min <sup>-1</sup>	°C	Hours	Hours	
4890 N		80	47.1	230	50	25	4.0	□	11.0	1 550	-10...+70	55 000 / 27 500		1
4850 N*		100	58.9	230	50	32	4.4	□	10.0	1 800	-10...+70	57 500 / 27 500		2
4580 N*		123	72.4	230	50	41	5.2	□	18.0	2 350	-10...+55	40 000 / 27 500		3
4550 N*		145	85.3	230	50	44	5.4	□	16.5	2 550	-10...+55	42 500 / 30 000		4
4650 N		160	94.2	230	50	46	5.4	□	19.0	2 650	-10...+55	37 500 / 27 500		5
4656 N		160	94.2	230	50	47	5.5	■	19.0	2 650	-40...+85	37 500 / 15 000		5
4840 N		85	50.0	115	60	26	4.1	□	10.0	1 650	-10...+75	57 500 / 25 000		6
4800 N*		97	57.1	115	60	32	4.3	□	9.0	1 750	-10...+75	60 000 / 27 500		7
4530 N*		151	88.9	115	60	45	5.4	□	16.0	2 700	-10...+65	42 500 / 25 000		8
4500 N*		169	99.5	115	60	48	5.7	□	15.0	3 000	-10...+65	47 500 / 25 000		9
4600 N		180	105.9	115	60	50	5.7	□	18.0	3 100	-10...+60	40 000 / 25 000		10
4606 N		180	105.9	115	60	51	5.8	■	18.0	3 100	-40...+90	40 000 / 15 000		10



\* Fan with 3 blades.



# AC Axial Fans

Series 4000 Z 119 x 119 x 38 mm



- AC fans with external rotor shaded-pole motor. Impedance protected against overloading.
- Metal fan housing and impeller.
- Air exhaust over struts. Rotational direction CW looking at rotor.
- Electrical connection via 2 flat pins 2.8 x 0.5 mm.
- Also available: Models with mounting bosses and single leads.
- Fan housing with ground lug and screw M4 x 8 (TORX).
- Mass: 540 g.

Nominal Data	Air Flow		Nominal Voltage	Frequency	Noise		Sirtec-Sleeve Bearings Ball Bearings		Power Input	Nominal Speed	Temperature Range		Service Life L <sub>10</sub>		Curve
	m <sup>3</sup> /h	CFM			V	Hz	dB(A)	Bel			□ / ■	Watt	min <sup>-1</sup>	°C	
4850 Z	100	58.9	230	50	26	4.0	□	13.0	1 700	-10...+65	50 000 / 27 500		1		
4856 Z	100	58.9	230	50	26	4.0	■	13.0	1 700	-40...+75	50 000 / 20 000		1		
4580 Z	115	67.7	230	50	30	4.3	□	13.0	1 900	-10...+65	50 000 / 27 500		2		
4586 Z	115	67.7	230	50	30	4.3	■	13.0	1 900	-40...+75	50 000 / 20 000		2		
4650 Z	160	94.2	230	50	40	5.3	□	19.0	2 650	-10...+50	37 500 / 30 000		3		
4656 Z	160	94.2	230	50	40	5.3	■	19.0	2 650	-40...+75	37 500 / 17 500		3		
4800 Z	105	61.6	115	60	28	4.1	□	12.0	1 800	-10...+70	52 500 / 25 000		4		
4806 Z	105	61.6	115	60	28	4.1	■	12.0	1 800	-40...+75	52 500 / 17 500		4		
4530 Z	120	70.6	115	60	32	4.4	□	12.0	2 000	-10...+70	52 500 / 25 000		5		
4536 Z	120	70.6	115	60	32	4.4	■	12.0	2 000	-40...+75	52 500 / 17 500		5		
4600 Z	180	105.9	115	60	45	5.6	□	18.0	3 100	-10...+60	40 000 / 25 000		6		
4606 Z	180	105.9	115	60	45	5.6	■	18.0	3 100	-40...+85	40 000 / 15 000		6		

