

AC axial fans

K-Range, Ø 250



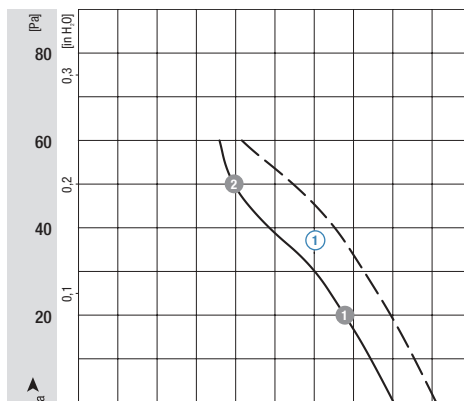
ebm-papst • Mulfingen



Nominal data		Characteristic	Voltage	Frequency	Air flow	Speed/rpm	Power input	Current draw	Capacitor	Noise level	Max. back pressure	Perm. amb. temp.	Mass
Type	Motor		VAC	Hz	m³/h	min ⁻¹	W	A	µF/VDB	dB(A)	Pa	°C	kg
*4E 250	M4E068-BF	①	230	50	800	1350	41	0,18	1,5/400	47	60	60	1,2
			230	60	910	1550	50	0,23	1,5/400	50	60	70	

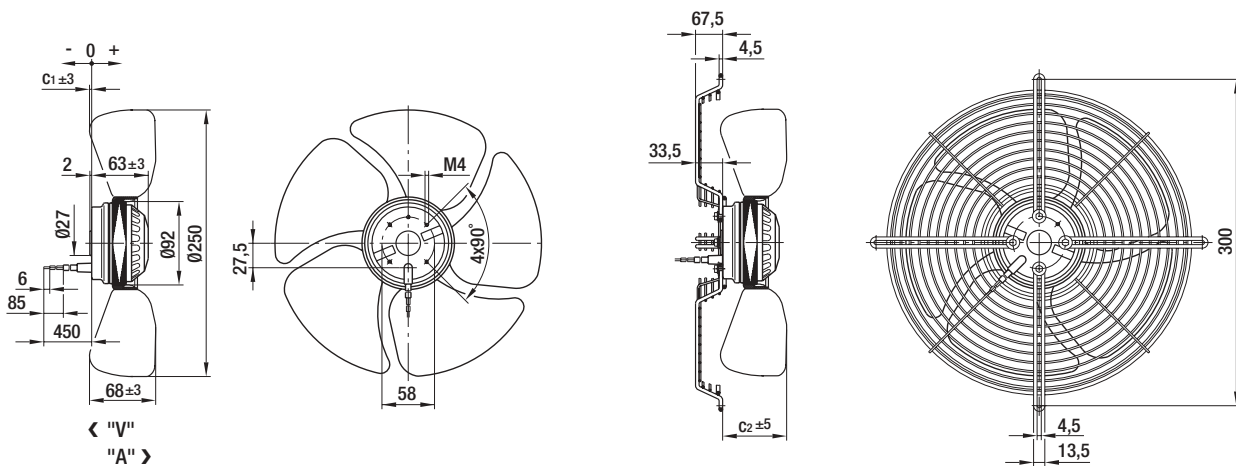
subject to alterations

	n [min ⁻¹]	P ₁ [W]
① ①	1315	42
① ②	1280	44

Characteristics



Selection		Cable exit	Direction of air flow		Dimensions	
Type	S/A/B				C ₁	C ₂
*4E 250	A	"V"	A4E 250-AE32 -05	S4E 250-AE32 -01	-9	25
		"A"	A4E 250-AE32 -06	S4E 250-AE32 -02	2	36



Mounting configuration

