

AC axial fans

K-Range, Ø 300



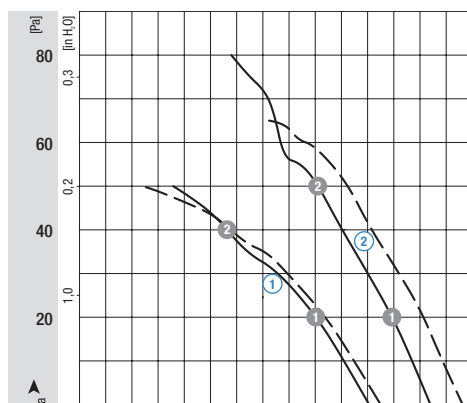
ebm-papst • Mulfingen

Nominal data		Characteristic	Voltage	Frequency	Air flow	Speed/rpm	Power input	Current draw	Capacitor	Noise level	Max. back pressure	Perm. amb. temp.	Mass
Type	Motor		VAC	Hz	m³/h	min⁻¹	W	A	µF/VDB	dB(A)	Pa	°C	kg
*4E 300-*E	M4E068-BF	①	230	50	1100	1100	52	0,23	1,5/400	53	50	45	1,3
			230	60	1150	1150	60	0,27	1,5/400	54	50	40	
*4E 300-*H	M4E068-CF	②	230	50	1340	1350	70	0,31	1,5/400	58	80	60	1,7
			230	60	1460	1480	90	0,40	1,5/400	61	65	55	

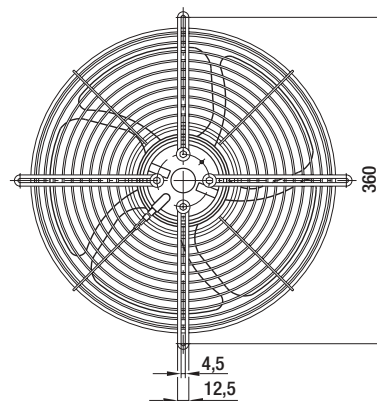
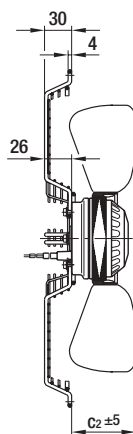
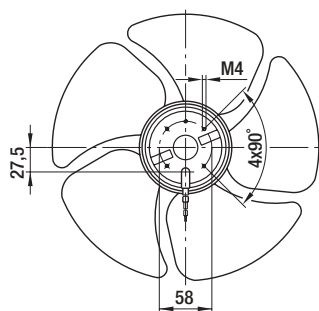
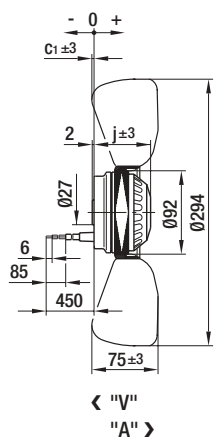
subject to alterations

	n [min⁻¹]	P ₁ [W]
① ①	1060	53
① ②	985	55
② ①	1325	71
② ②	1310	73

Characteristics



Selection	Cable exit	Direction of air flow	Dimensions				
			c ₁	c ₂	j		
*4E 300-*E	B	"V" "A"	A4E 300-AE20 -05 A4E 300-AE20 -06	S4E 300-EE20 -05 S4E 300-EE20 -06	-9 -3	66 72	63 63
*4E 300-*H	A	"V" "A"	A4E 300-AH26 -05 A4E 300-AH26 -06	S4E 300-EH26 -05 S4E 300-EH26 -06	-4 -4	71 71	73 73



Mounting configuration

