

AC axial fans

K-Range, Ø 350



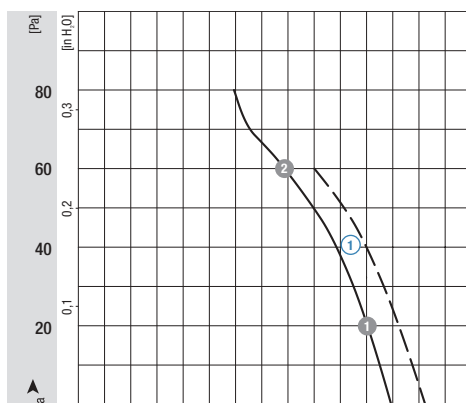
ebm-papst • Mulfingen

Nominal data		Characteristic	Voltage	Frequency	Air flow	Speed/rpm	Power input	Current draw	Capacitor	Noise level	Max. back pressure	Perm. amb. temp.	Mass
Type	Motor	VAC	Hz	m³/h	min ⁻¹	W	A	µF/VDB	dB(A)	Pa	°C	kg	
*4E 350	M4E068-DC	①	230 230	50 60	2390 2650	1350 1500	105 135	0,50 0,60	3,0/400 3,0/400	63 66	80 60	50 40	2,0

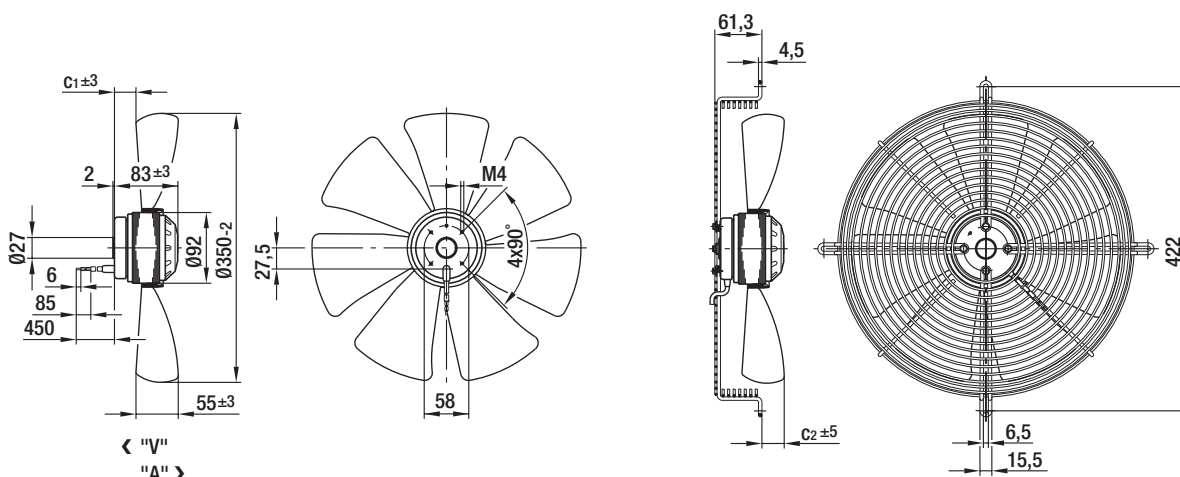
subject to alterations

	n [min ⁻¹]	P ₁ [W]
① ①	1335	110
① ②	1300	120

Characteristics



Selection	Cable exit	Direction of air flow	Dimensions			
			Type	S/A/B	C ₁	C ₂
*4E 350	A	"V"	A4E 350-AF20 -05	S4E 350-AF20 -01	18	19
		"A"	A4E 350-AF20 -06	S4E 350-AF20 -02	28	29



Mounting configuration

