

# AC axial fans

K-Range, Ø 450



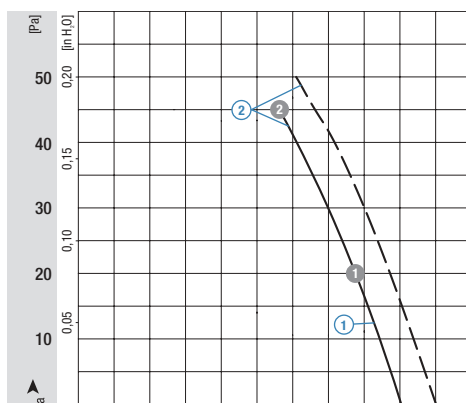
ebm-papst • Mulfingen

Nominal data		Characteristic	Voltage	Frequency	Air flow	Speed/rpm	Power input	Current draw	Capacitor	Noise level	Max. back pressure	Perm. amb. temp.	Mass
Type	Motor	VAC	Hz	m <sup>3</sup> /h	min <sup>-1</sup>	W	A	µF/VDB	dB(A)	Pa	°C	kg	
*6E 450-AF <sup>(1)</sup>	M6E074-EI	①	230	50	4565	890	140	0,62	4,0/400	57	45	45	3,7
*6E 450-AG	M6E074-GA	②	230	50	4550	890	142	0,65	4,0/400	57	45	50	4,2
			230	60 <sup>(2)</sup>	5050	990	190	0,84	4,0/400	61	50	40	

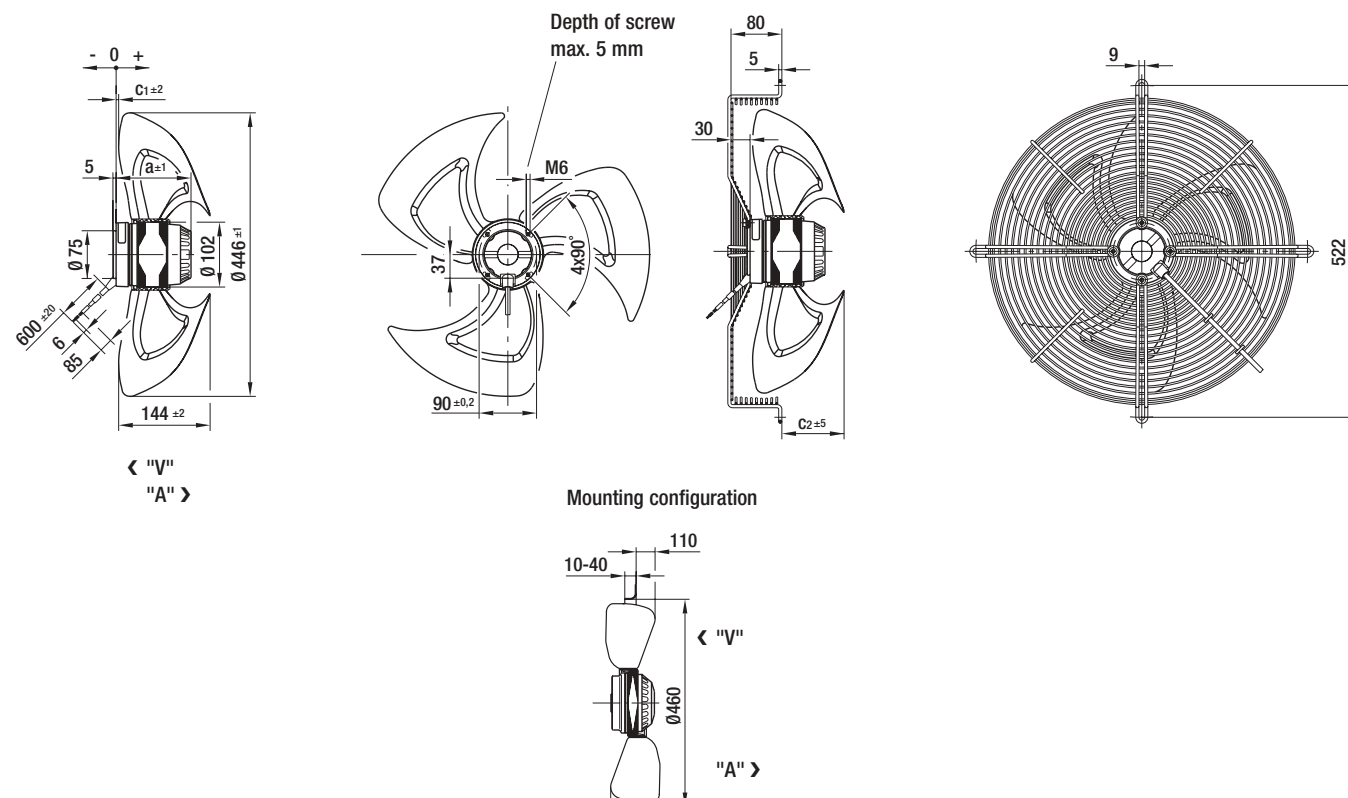
subject to alterations <sup>(1)</sup> Insulation class "F" <sup>(2)</sup> Insulation class "F" required at 60 Hz

	n [min <sup>-1</sup> ]	P <sub>1</sub> [W]
① ①	890	147
① ②	870	155
② ①	880	151
② ②	860	160

## Characteristics



Selection	Cable exit	Direction of air flow	Dimensions				
			a	c <sub>1</sub>	c <sub>2</sub>		
<b>*6E 450-AF</b>	B	"V" "A"	A6E 450-AF08 -01 A6E 450-AF08 -02	S6E 450-AF08 -01 ---	117 117	4 -18	98 ---
<b>*6E 450-AG</b>	B	"V" "A"	A6E 450-AG05 -01 A6E 450-AG05 -02	S6E 450-AG05 -01 ---	129 129	4 -18	98 ---



# AC axial fans

K-Range, Ø 450



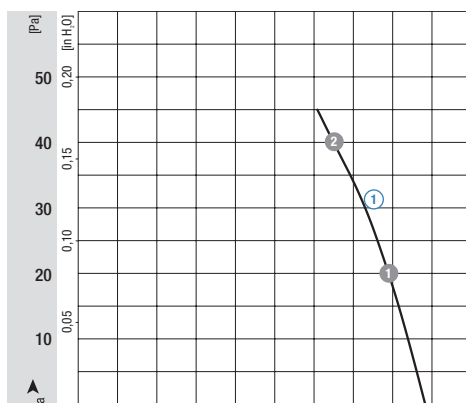
ebm-papst • Mulfingen



Nominal data		Characteristic	Voltage	Frequency	Air flow	Speed/rpm	Power input	Current draw	Capacitor	Noise level	Max. back pressure	Perm. amb. temp.	Mass
Type	Motor	VAC	Hz	m³/h	min <sup>-1</sup>	W	A	µF/VDB	dB(A)	Pa	°C	kg	
*6E 450 <sup>(1)</sup>	M6E074-EI	①	230	50	4415	900	145	0,64	4,0/400	61	45	55	3,0

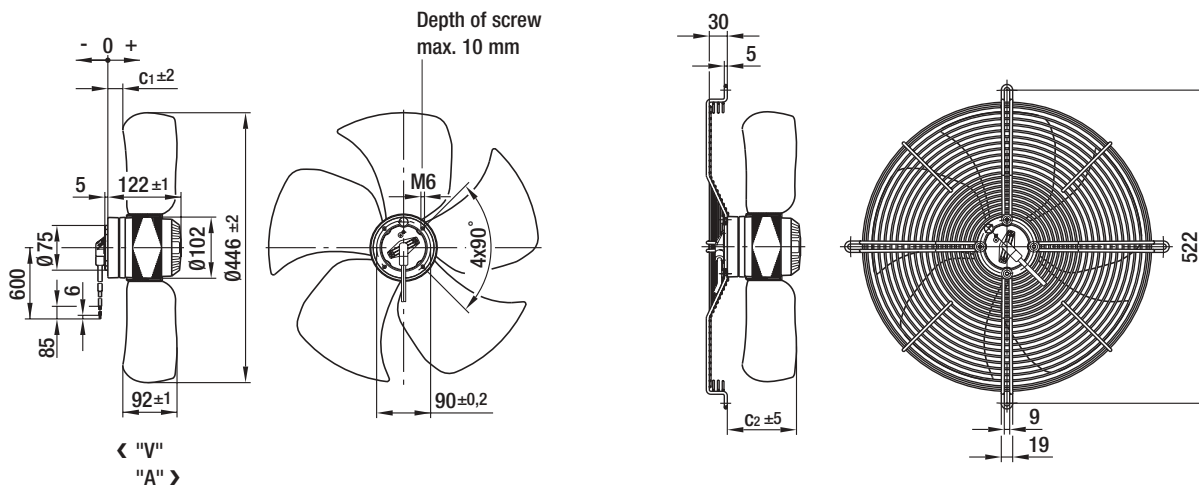
subject to alterations ① Insulation class "F"

	n [min <sup>-1</sup> ]	P <sub>1</sub> [W]
① ①	880	151
① ②	850	160

## Characteristics



Selection		Cable exit	Direction of air flow		Dimensions	
Type	S/A/B				C <sub>1</sub>	C <sub>2</sub>
*6E 450	S	"V"	A6E 450-AN08 -01	S6E 450-BN08 -01	8	100
		"A"	A6E 450-AN08 -02	S6E 450-BN08 -02	25	117



Mounting configuration

