

AC centrifugal fans – RadiCal

backward curved, Ø 190



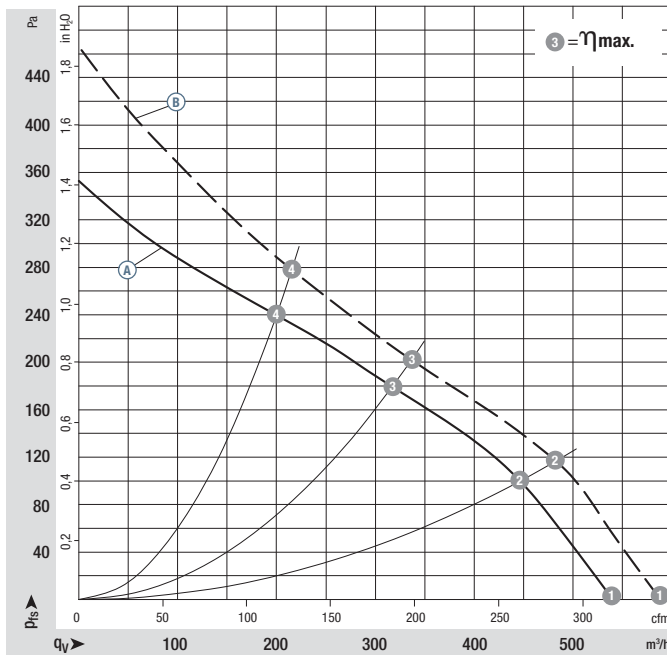
- **Material:** Housing: Plastic PA 6, fibreglass-reinforced
Impeller: Plastic PA 6, fibreglass-reinforced
Rotor: Coated in black
- **Number of blades:** 7
- **Direction of rotation:** Clockwise, seen on rotor
- **Type of protection:** IP 44, depending on installation and position in acc. to EN 60034-5
- **Insulation class:** "B"
- **Mounting position:** any
- **Condensate discharges:** Rotor-side
- **Mode of operation:** Continuous operation (S1)
- **Bearings:** Maintenance-free ball bearings

| Nominal data | | Curve | Nominal voltage | Frequency | Speed/rpm ⁽¹⁾ | Max. input power ⁽¹⁾ | Max. current draw ⁽¹⁾ | Capacitor | Perm. amb. temp. | Electrical connection |
|--------------|------------|----------|-----------------|-----------|--------------------------|---------------------------------|----------------------------------|-----------|------------------|-----------------------|
| Type | Motor | VAC | Hz | rpm | W | A | µF/VDB | °C | p. 170 | |
| *2E 190 | M2E 068-BF | Ⓐ 1~ 230 | 50 | 2350 | 52 | 0,23 | 1,5 / 400 | -25..+65 | A1) | |
| | | Ⓑ 1~ 230 | 60 | 2500 | 65 | 0,29 | 1,5 / 400 | -25..+75 | | |

subject to alterations

(1) Nominal data in operating point with maximum load and 230 VAC

Curves:

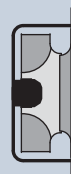


| | n rpm | P _{ed} W | I A | L _w A dB(A) |
|-----|-------|-------------------|------|------------------------|
| Ⓐ ① | 2480 | 48 | 0,22 | 66 |
| Ⓐ ② | 2440 | 49 | 0,22 | 63 |
| Ⓐ ③ | 2350 | 52 | 0,23 | 60 |
| Ⓐ ④ | 2435 | 50 | 0,22 | 62 |
| Ⓑ ① | 2720 | 60 | 0,27 | 68 |
| Ⓑ ② | 2645 | 62 | 0,27 | 66 |
| Ⓑ ③ | 2500 | 65 | 0,29 | 62 |
| Ⓑ ④ | 2615 | 63 | 0,27 | 65 |

- **Motor protection:** TOP wired internally
- **Touch current:** < 0,75 mA acc. to IEC 60990 (test circuit, illustration 4)
- **Cable exit:** Variable (R2E)
- **Connection leads:** Plug system (K2E)
- **Protection class:** I (if customer has provided connection for protective earth)
- **Product conforming to standards:** EN 60335-1, CE
- **Approvals:** R2E: CCC, GOST
K2E: CCC



Mass of centrifugal fan



Mass of centrifugal module with support basket

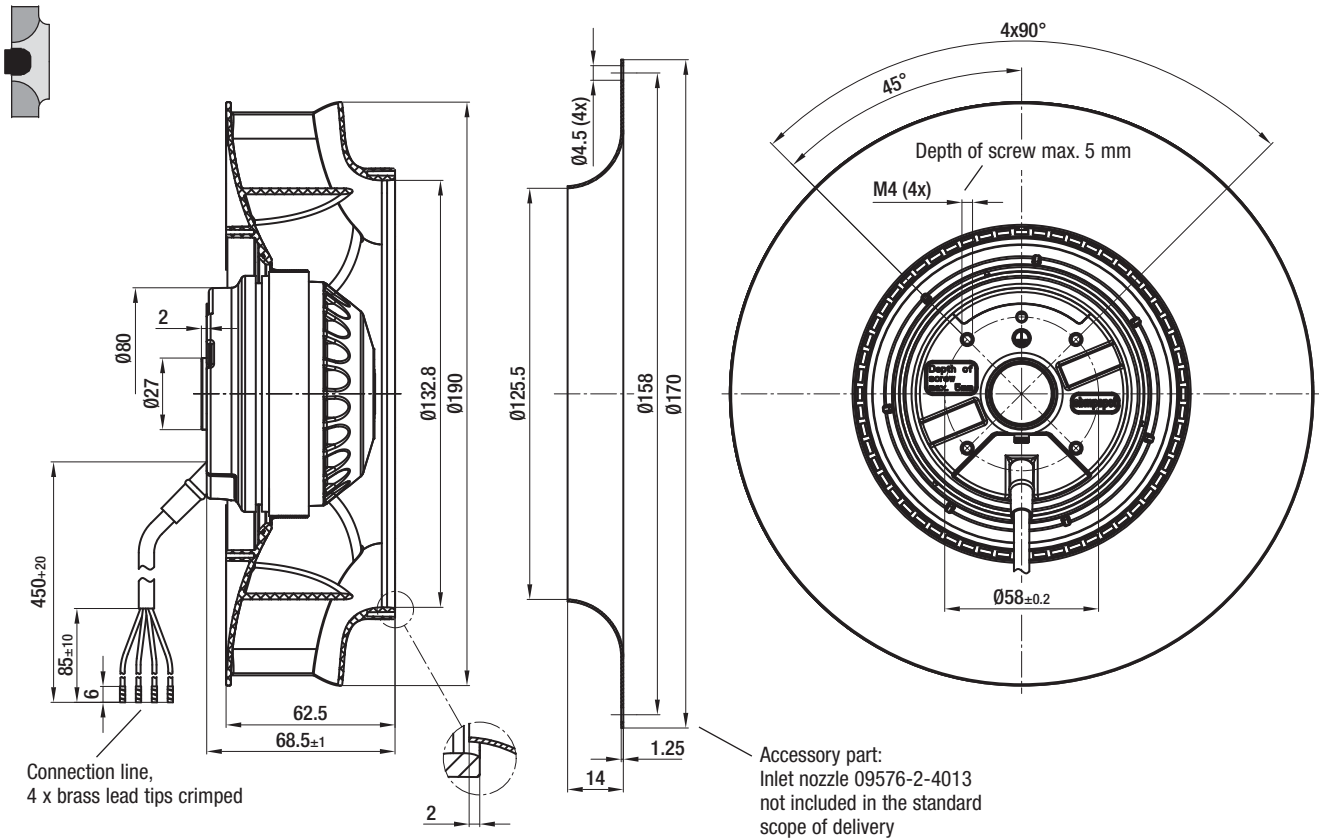
| Centrifugal fan | kg | Centrifugal module w. support basket | kg |
|------------------|-----|--------------------------------------|-----|
| R2E 190-RA26 -05 | 1,3 | K2E 190-RA26 -01 | 1,7 |

AC centrifugal fans – RadiCal

backward curved, Ø 190



R2E 190-RA26-05 (Centrifugal fan)



K2E 190-RA26-01 (Centrifugal module with support basket)

