

AC centrifugal fans – RadiCal

backward curved, Ø 220



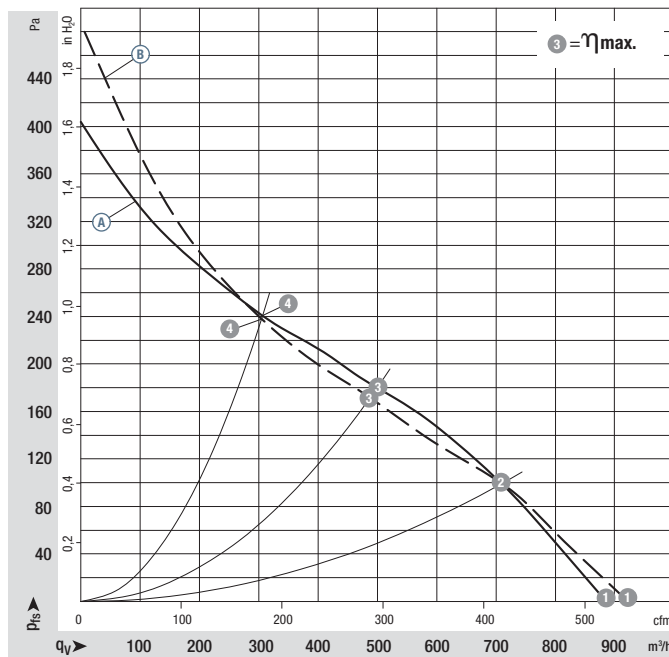
- **Material:** Housing: Plastic PA 6, fibreglass-reinforced
Impeller: Plastic PA 6, fibreglass-reinforced
Rotor: Coated in black
- **Number of blades:** 7
- **Direction of rotation:** Clockwise, seen on rotor
- **Type of protection:** IP 44, depending on installation and position in acc. to EN 60034-5
- **Insulation class:** "B"
- **Mounting position:** any
- **Condensate discharges:** Rotor-side
- **Mode of operation:** Continuous operation (S1)
- **Bearings:** Maintenance-free ball bearings

Nominal data		Curve	Nominal voltage	Frequency	Speed/rpm ⁽¹⁾	Max. input power ⁽¹⁾	Max. current draw ⁽¹⁾	Capacitor	Perm. amb. temp.	Electrical connection
Type	Motor	VAC	Hz	rpm	W	A	µF/VDB	°C	p. 170	
*2E 220	M2E 068-BF	A) 1~ 230	50	2100	88	0,39	2,0 / 450	-25..+50	A1)	
		B) 1~ 230	60	2050	107	0,47	2,0 / 450	-25..+60		
*2E 220	M2E 068-CF	C) 1~ 230	50	2500	102	0,45	2,5 / 400	-25..+60	A1)	
		D) 1~ 230	60	2650	135	0,60	2,5 / 400	-25..+75		

subject to alterations

(1) Nominal data in operating point with maximum load and 230 VAC

Curves:

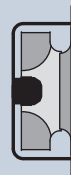


	n rpm	P _{ed} W	I A	L _{WA} dB(A)
A) 1	2350	80	0,36	68
A) 2	2240	86	0,38	62
A) 3	2100	88	0,39	60
A) 4	2185	86	0,38	63
B) 1	2450	100	0,46	69
B) 2	2220	105	0,46	62
B) 3	2050	107	0,47	60
B) 4	2165	105	0,46	63

- **Motor protection:** TOP wired internally
- **Touch current:** < 0,75 mA acc. to IEC 60990 (test circuit, illustration 4)
- **Cable exit:** Variable (R2E)
- **Connection leads:** Plug system (K2E)
- **Protection class:** I (if customer has provided connection for protective earth)
- **Product conforming to standards:** EN 60335-1, CE
- **Approvals:** R2E 220-RA: VDE, CCC, GOST
R2E 220-RB: CCC, GOST
K2E: CCC



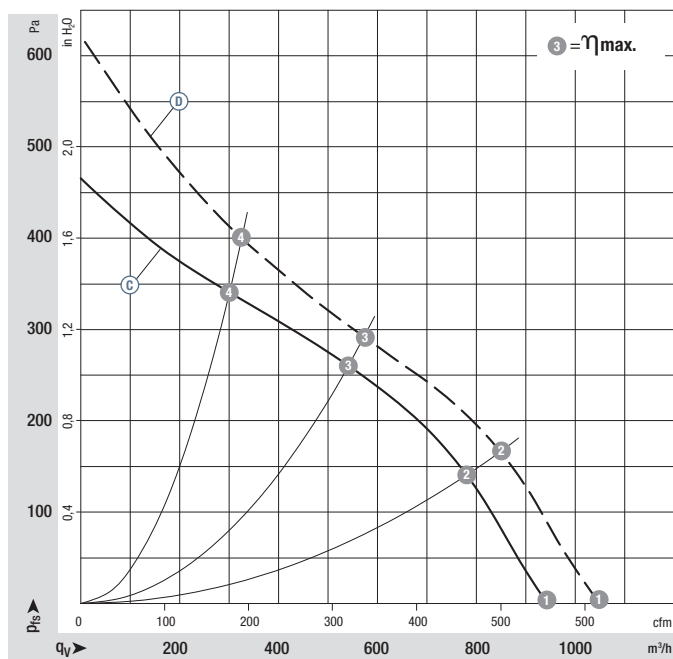
Mass of centrifugal fan



Mass of centrifugal module with support basket

Centrifugal fan	kg	Centrifugal module w. support basket	kg
R2E 220-RA38 -01	1,30	K2E 220-RA38 -01	2,00
R2E 220-RB06 -01	1,80	K2E 220-RB06 -01	2,40

Curves:



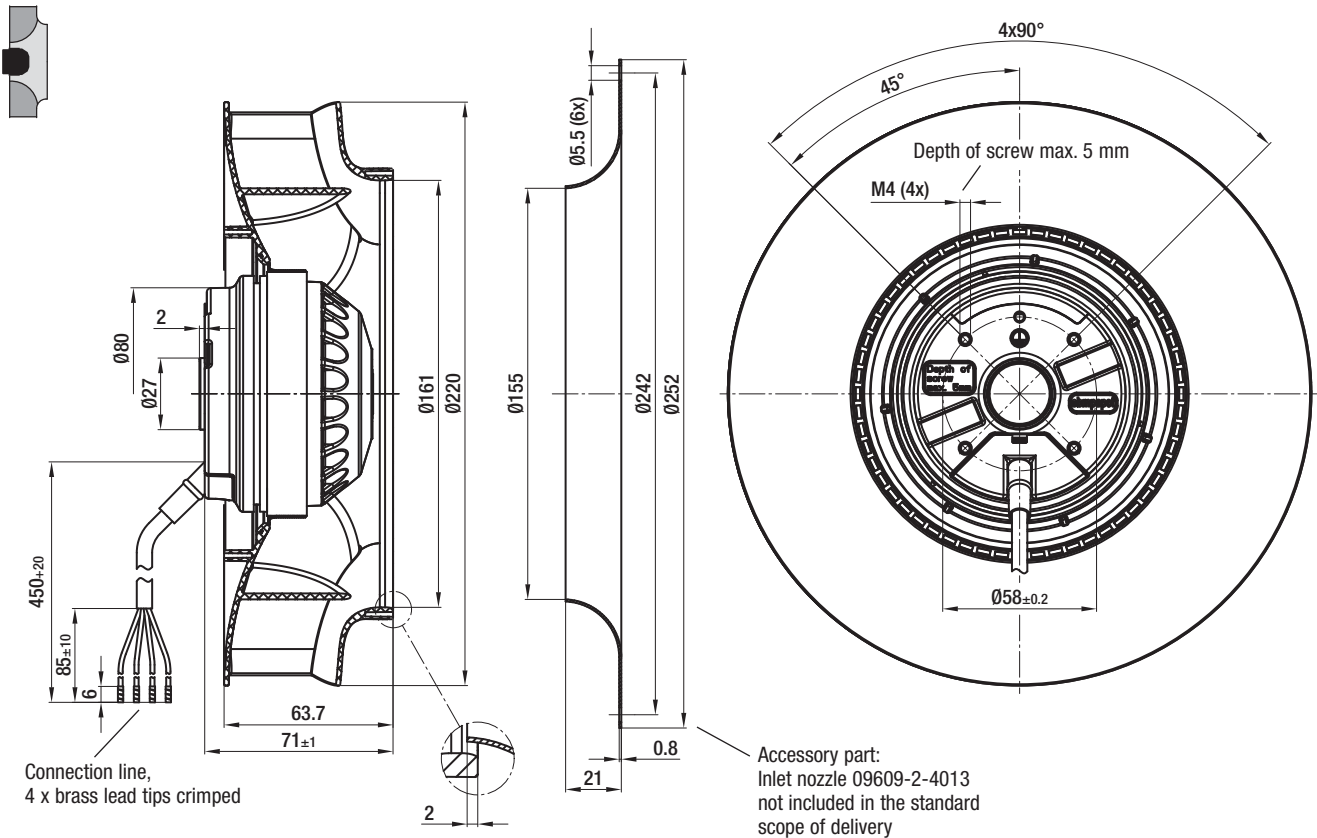
	n rpm	P _{ed} W	I A	L _{wA} dB(A)
(A) 1	2600	90	0,40	70
(A) 2	2575	95	0,43	66
(A) 3	2500	102	0,45	64
(A) 4	2580	95	0,42	67
(B) 1	2900	120	0,53	73
(B) 2	2790	130	0,56	68
(B) 3	2650	135	0,60	66
(B) 4	2795	125	0,55	69

AC centrifugal fans – RadiCal

backward curved, Ø 220



R2E 220-RA38-01 / R2E 220-RB06-01 (Centrifugal fan)



K2E 220-RA38-01 / K2E 220-RB06-01 (Centrifugal module with support basket)

