

Circulation blower for hot air

R2A150AC; R2A150AA



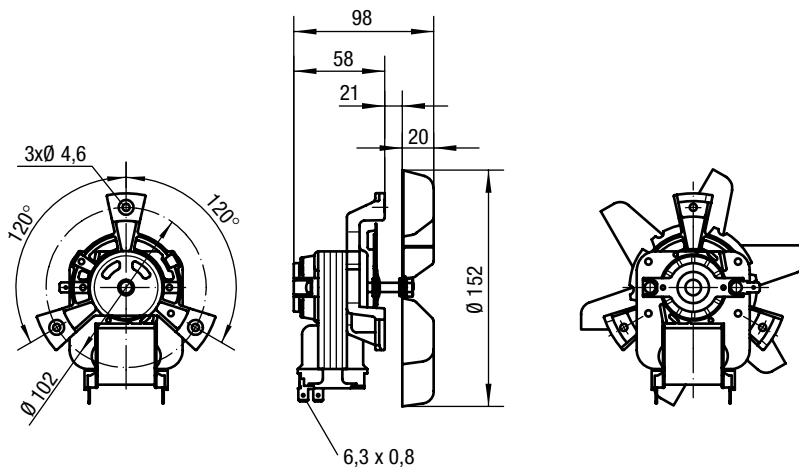
- **General description:** Impeller: Stainless steel
- **Impeller material:** Stainless steel
- **Bearings:** Porous calotte sleeve bearing with lubricant depot

Nominal data

Type	Motor	Voltage VAC	Frequency Hz	Air flow m ³ /h	Power consumption W	Weight kg
R2A150-AC	--	230	50	170	32	1.0

Subject to modification

Specific drawing



Technical description

- **General description:** Impeller: Stainless steel
- **Bearings:** Porous calotte sleeve bearing with lubricant depot
- **Installation orientation:** Shaft horizontal
- **Impeller material:** Stainless steel
- **Electrical connection:** Flat plug 6.3 x 0.8
- **Insulation class:** "H"