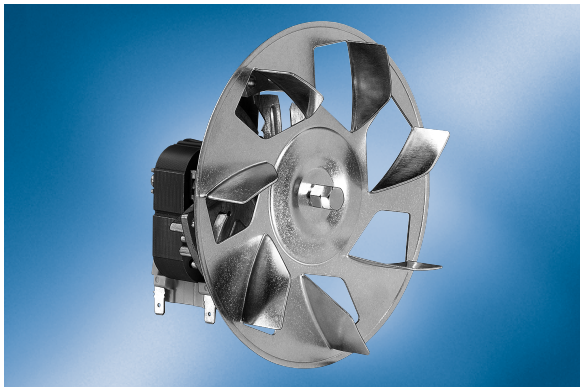


Circulation blower for hot air

RRL120; RRL140



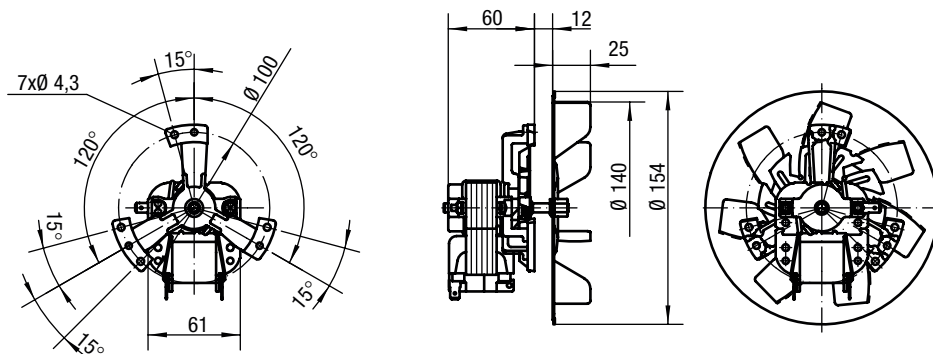
- **General description:** Impeller: fire-aluminized sheet steel
- **Bearings:** Porous calotte sleeve bearing with lubricant depot for max. storage temperature of 120°C
- **Electrical connection:** Flat plug 6.3 x 0.8

Nominal data

Type	Motor	Voltage VAC	Frequency Hz	Air flow m ³ /h	Speed 1/min	Power consumption W	Weight kg
RRL140-3020LH	--	230	50	170	1700	38	0.80

Subject to modification

Specific drawing



Technical description

- **General description:** Impeller: fire-aluminized sheet steel
- **Electrical connection:** Flat plug 6.3 x 0.8
- **Insulation class:** "H"

- **Bearings:** Porous calotte sleeve bearing with lubricant depot for max. storage temperature of 120°C
- **Installation orientation:** Shaft horizontal