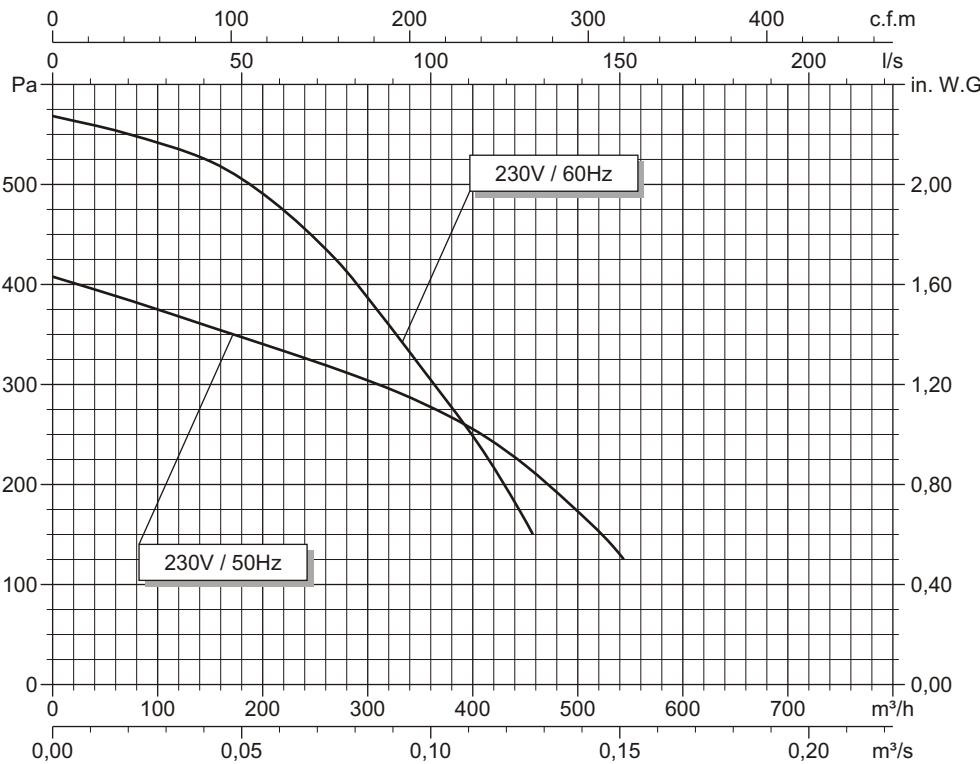
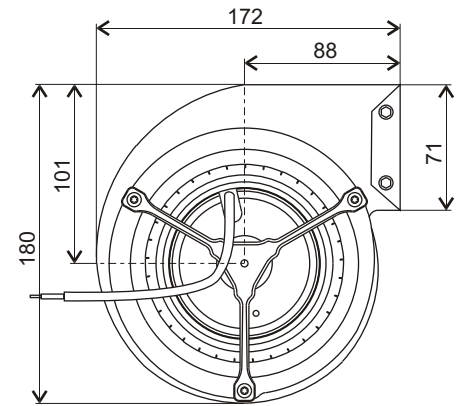
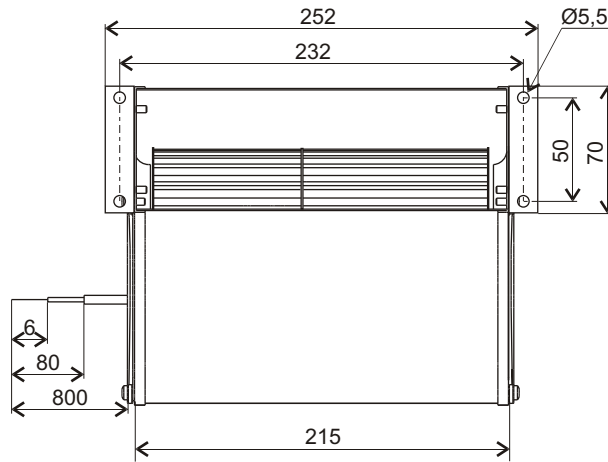


For professional use only. Please refer to the conditions of use of our catalogue.

March 2002

2GDS25 133x190LR code Z18-08

Voltage	Frequency	Input power	Current	Capacitor	Air flow	Rotational speed	Sound level	Direction of rotation	Max. Air temp.
V	Hz	Wa	A	µF	m ³ /h	rpm	dBA	↻	°C
230	50	186	0,84	4	540	1885	53	L	-20 / +50
230	60	187	0,91	4	455	2060	55	L	-20 / +50



- Ball bearings.
- Cl.F windings protected by thermal cut-out.
- Protection IP 44.
- Balancing G2.5.
- Steel painted black scroll.
- Galvanised steel impeller

