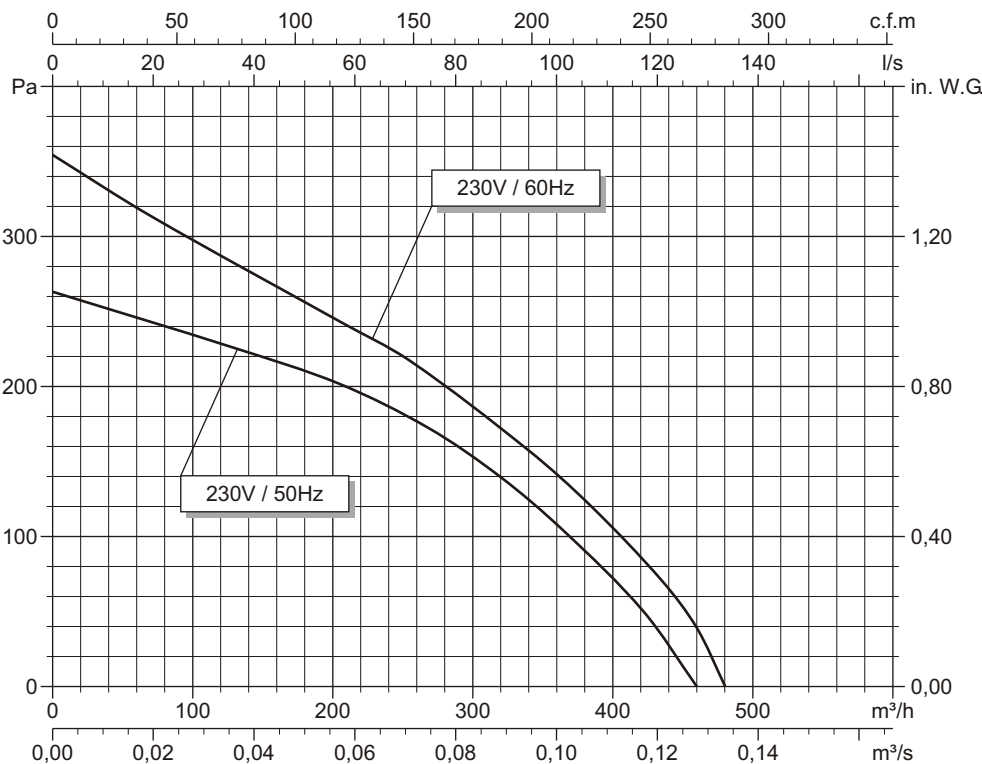
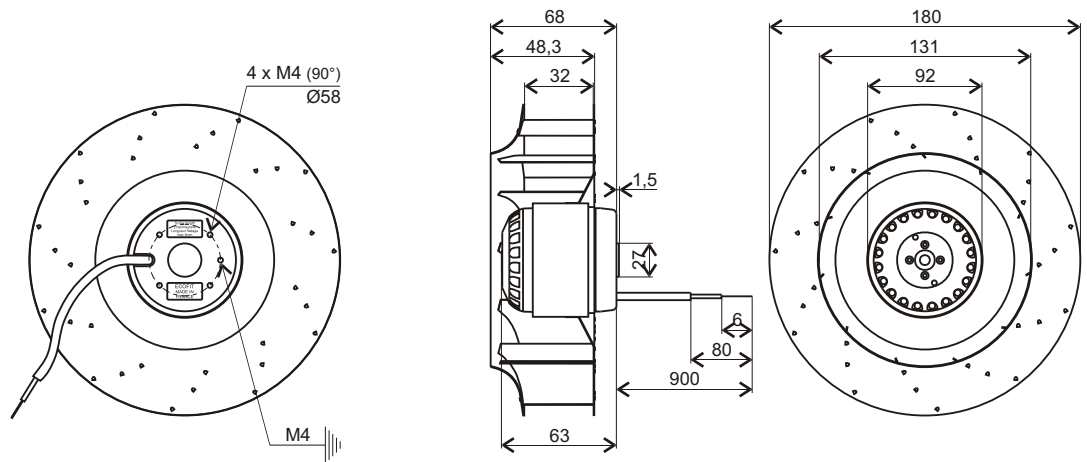
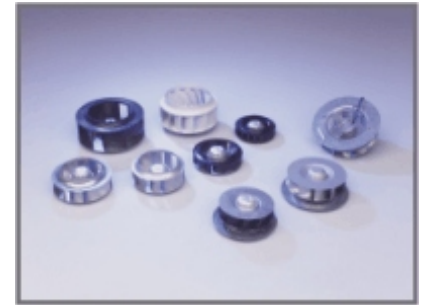


For professional use only. Please refer to the conditions of use of our catalogue.

March 2002

## 2RRE15 180x32R code Z19-05

Voltage	Frequency	Input power	Current	Capacitor	Air flow	Rotational speed	Sound level	Direction of rotation	Max. Air temp.
V	Hz	Wa	A	µF	m <sup>3</sup> /h	rpm	dBA	↻	°C
230	50	57	0,25	2	460	2580	65	R	-20 / +70
230	60	74	0,34	2	480	2795	67	R	-20 / +70



- Ball bearings.
- Cl.F windings protected by thermal cut-out.
- Protection IP 44.
- Balancing G2.5.
- Galvanised steel impeller.

