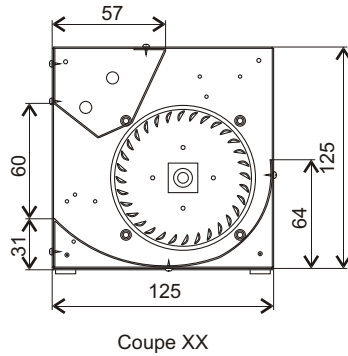
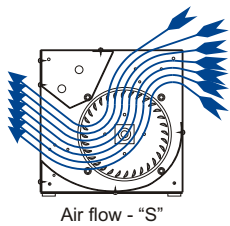
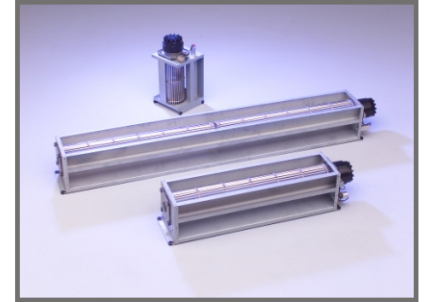


For professional use only. Please refer to the conditions of use of our catalogue.

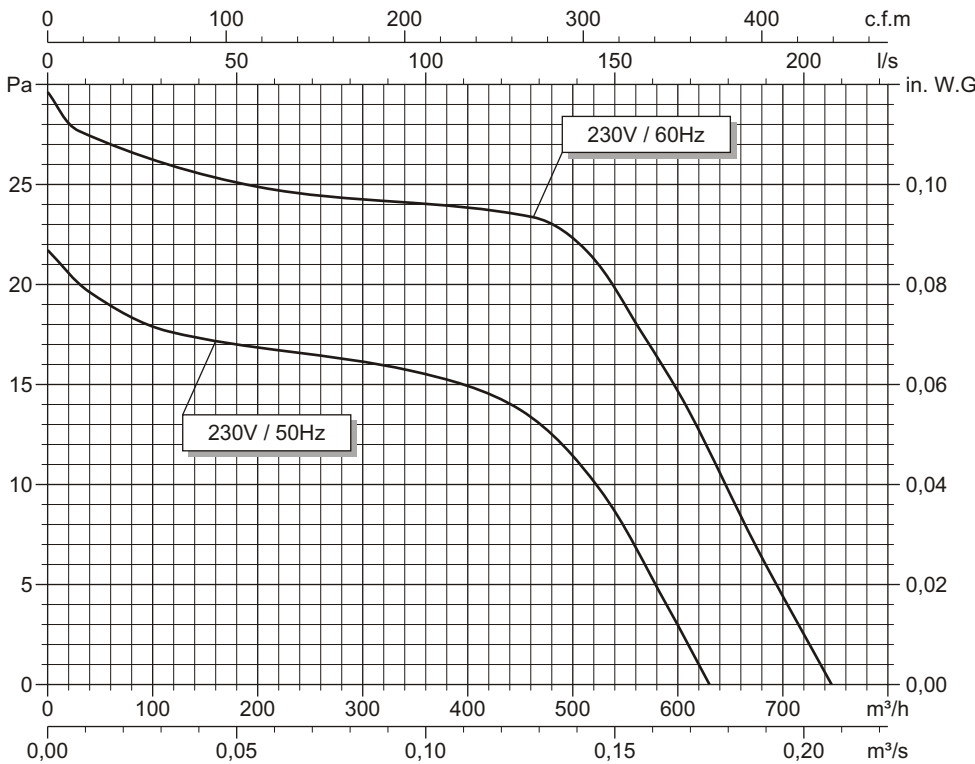
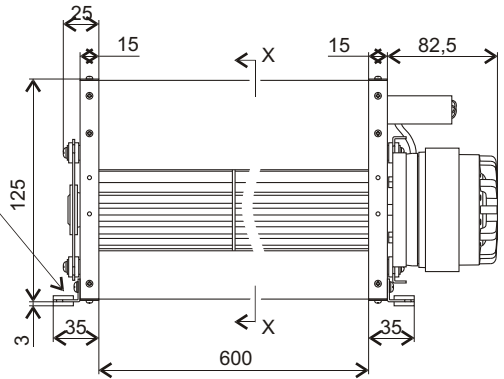
April 2002

4TGS25 80x600R code Z21-33

| Voltage | Frequency | Input power | Current | Capacitor | Air flow | Rotational speed | Sound level | Direction of rotation | Max. Air temp. |
|---------|-----------|-------------|---------|-----------|-------------------|------------------|-------------|-----------------------|----------------|
| V | Hz | Wa | A | μF | m ³ /h | rpm | dBA | ↻ | °C |
| 230 | 50 | 46 | 0,23 | 1,5 | 630 | 1365 | 56 | R | -20 / +60 |
| 230 | 60 | 59 | 0,30 | 1,5 | 745 | 1560 | 59 | R | -20 / +60 |



4 mounting silent-blocs.



- Ball bearings.
- Cl.F windings protected by thermal cut-out.
- Protection IP 20.
- Balancing G2.5.
- Scroll housing in zinc coated sheet steel.
- Impeller in aluminium.
- Capacitor fixed on the scroll and connected to a WAGO Connector.

