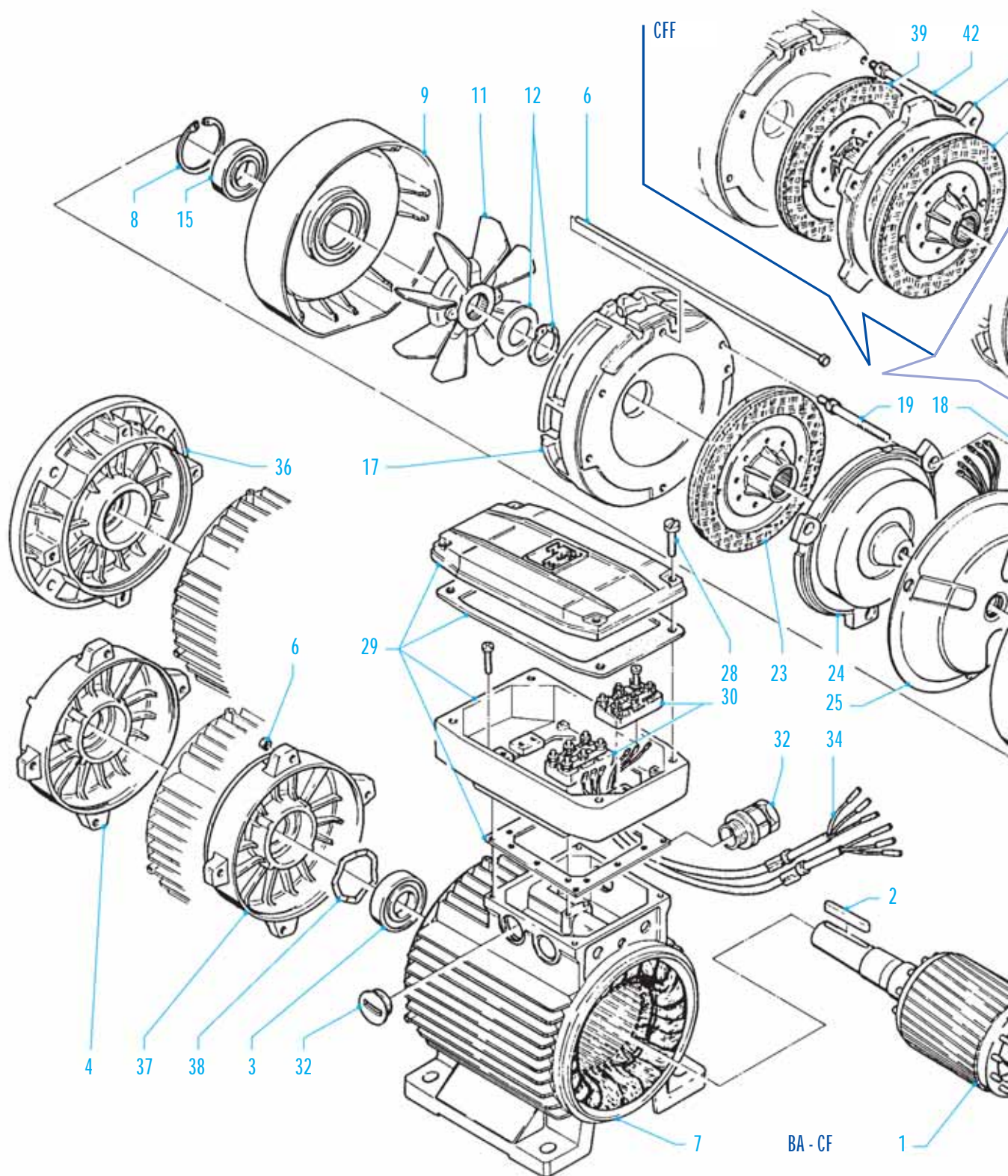
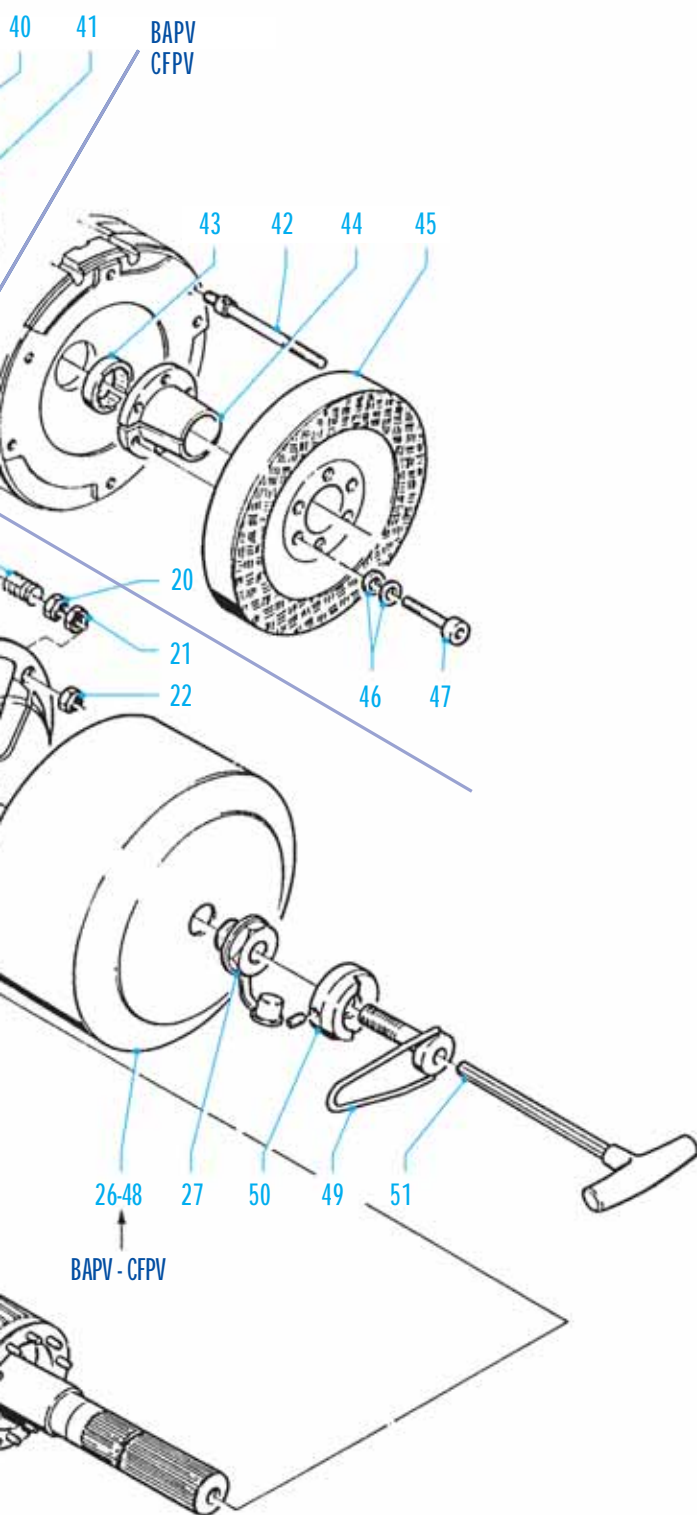


# Technical Data Two Speed Motor – Single Winding

Motor type	Power (kW)	RPM	In 400 V (A)	Power factor Cos $\varphi$	Tn (Nm)	Ts/Tn	Is/In	AC brake In (mA)	DC brake In (mA)	Z <sub>0</sub> (starts/hour)	Moment of inertia Jx 10 <sup>-4</sup> Kg <sup>m</sup> <sup>2</sup>	Max Brake torque (Nm)	A-Sound pressure dB(A)	Weight (Kg)
2 / 4 pole														3000 / 1500 r.p.m.
BAD 71 A2/4	0.25	2820	0.75	0.73	0.85	2.2	3.8	90	110	8500	7.20	14	59	10.0
	0.18	1415	0.70	0.66	1.21	2.4	3.1							
BAD 71 B2/4	0.37	2820	1.00	0.77	1.25	2.3	4.7	90	110	7000	8.10	14	59	11.0
	0.25	1415	0.85	0.63	1.69	2.8	4.2							
BAD 80 A2/4	0.65	2790	1.80	0.81	2.22	2.0	4.1	140	150	3000	14.97	18	65	14.5
	0.45	1400	1.35	0.72	3.07	2.1	4.0							
BAD 80 B2/4	0.88	2800	2.2	0.80	3.00	2.0	4.9	140	150	3000	17.19	18	65	15.5
	0.62	1390	1.7	0.74	4.26	2.2	4.5							
BAD 90 SB2/4	1.3	2800	3.2	0.85	4.43	2.3	5.2	300	150	3000	26.15	38	72	20
	0.9	1420	2.3	0.73	6.05	2.5	5.0							
BAD 90 LA2/4	1.8	2800	4.4	0.83	6.14	2.6	5.6	300	150	2500	30.53	38	72	23
	1.2	1420	3.1	0.71	8.07	3.0	6.0							
BAD 90 LB2/4	2.2	2860	5.4	0.82	7.35	2.5	5.9	300	150	2500	34.57	38	72	24
	1.5	1430	3.8	0.73	10.02	3.0	6.0							
BAD 100 LA2/4	2.2	2875	5.0	0.85	7.31	2.3	6.0	300	150	1800	51.14	50	74	32
	1.5	1425	3.8	0.81	10.05	2.5	5.6							
BAD 100 LB2/4	3.1	2875	6.7	0.85	10.30	2.3	7.0	300	150	1700	60.07	50	74	36
	2.3	1425	5.2	0.82	15.41	2.4	6.5							
BAD 112 MB2/4	4.5	2880	9.2	0.88	14.92	2.4	7.0	280	470	900	125.7	80	75	45
	3.3	1400	6.9	0.86	22.51	2.8	6.5							
BAD 132 SB2/4	5.0	2940	10.9	0.81	16.24	2.8	8.0	580	680	400	277.0	150	75	78
	4.5	1450	9.3	0.84	29.64	2.6	7.5							
BAD 132 MA2/4	6.0	2940	11.7	0.88	19.49	2.6	8.0	580	680	400	352.0	150	75	87
	5.0	1450	10.0	0.85	32.93	2.5	7.5							
BAD 132 MB2/4	7.5	2940	16.0	0.82	24.36	2.4	8.0	580	680	400	352.0	150	75	87
	6.0	1450	12.2	0.83	39.52	2.5	7.5							
BAD 160 MA2/4	9.5	2870	20.0	0.89	31.61	2.8	7.5	1390	860	300	607.0	190	77	154
	8.0	1420	16.6	0.85	53.80	2.6	6.0							
BAD 160 MB2/4	11.0	2870	23.3	0.88	36.60	2.8	6.8	1390	860	300	683.0	190	77	154
	9.0	1420	18.7	0.85	60.53	2.6	6.0							
BAD 160 LA2/4	13.0	2890	26.1	0.91	42.96	2.8	7.0	1390	860	250	858.0	190	77	171
	11.0	1420	21.2	0.87	73.98	2.6	6.3							
BAD 180 LA2/4	17.0	2900	33.0	0.89	55.98	2.9	8.0	950	1100	100	1740.0	300	78	243
	14.0	1440	26.8	0.86	92.85	2.7	6.5							
BAD 180 LB2/4	20.5	2900	41.5	0.89	67.51	2.9	8.0	950	1100	100	1740.0	300	78	243
	17.0	1430	33.3	0.86	113.53	2.7	6.5							
BAD 200 LB2/4	24.0	2910	49.0	0.86	78.76	2.5	8.0	950	1100	70	1980.0	300	79	274
	20.0	1435	41.0	0.82	133.10	2.4	6.5							

M.G.M. motori elettrici S.p.A. is present in more than 40 countries around the world with sales/parts outlets and customer service. Please contact MGM customer assistance to find further information about MGM in the world. To clearly identify a spare part it's necessary to provide the item number (shown on the drawing below), the motor type, the rated voltage and frequency supply for electric parts such as the stator, the brake coil and the rectifier. For all spare parts belonging to BA 250-280 series, we pls you to contact us.





Complete rotor	1
Key	2
Bearing Drive End side	3
Endshield Drive End (front cover)	4
Tie rod assembly	6
Stator frame	7
Circlip	8
Endshield brake side (rear cover)	9
Fan	11
Fan fixing accessories	12
Bearing Non Drive Side	15
Brake Friction Surface	17
Spring	18
Brake adjuster	19
Brake torque adjuster locknut	20
Air gap adjusting nut	21
Brake coil locknut	22
Brake Disc	23
Brake Moving Element	24
Brake Coil	25
Brake Cover (BA-CF)	26
Hexagonal Rear Nut (socket head nut)	27
Terminal Box Screws	28
Terminal Box (single or double)	29
Terminal Board	30
Cable Gland	32
Brake Coil Connection Cables	34
Flange B5 (Flange Mounting)	36
Flange B14 (Face Mounting)	37
Elastic Washer	38
Brake Disc (BAF-CFF)	39
Additional Brake surface (BAF-CFF)	40
Additional Brake Disc (BAF-CFF)	41
Long Brake Adjuster (BAPV-BAF-CFF-CFPV)	42
Spacer (BAPV-CFPV)	43
Taper Bush (BAPV-CFPV)	44
Flywheel (BAPV-CFPV)	45
Elastic Washer (BAPV-CFPV)	46
Taper bush fixing screws (BAPV-CFPV)	47
Brake Cover (BAPV-BAF-CFPV-CFF)	48
Brake Release Screw	49
Fulcrum Hub for brake release (on request only)	50

## brake linings wear

Brake linings wear is mainly affected by the environmental conditions in which the motor operates, by the frequency of starts, by the energy dissipated at each stop and by the torque provided by the brake. The lining temperature rises with the braking frequency and with the moment of inertia applied to the shaft. When the lining temperature rises, the lining wear increases and consequently the braking time is longer. BA series motors are designed to have continuous cooling of the braking surfaces so as to reduce brake disc wear to have a shorter braking time.

The life cycle of the brake linings can be roughly expressed by the number of brake interventions and can be approximately calculated as follows:

$$n = W_{tot} / W_b$$

where  $W_b$  (J) is the work done during each braking action and  $W_{tot}$  (J) is obtained from the table for each type of brake motor. However, it is necessary to check the brake disc wear periodically to replace the brake disc before it is completely worn. If you want to estimate the interval between two successive air gap adjustment in a specific application, note that the brake linings wear is greater than usual during the run-in (a few thousands stops).

On PV series brake motors  $W_{tot}$  shown in the table have to be multiplied by 0.5 and the moment of inertia have to be calculated considering the presence of the flywheel. The indicative number of AC brake stops  $N_{intAC}$  between two successive air gap adjustments on a BA motor is given by the following formula:

$$N_{intAC} = E_{rBA} / W_b$$

while the  $N_{intDC}$  for DC brake motors is given by :  $N_{intDC} = N_{intAC} \cdot 0.65$

	71	80	90	100	112	132	160	180	200	225
$W_{tot}$ (MJ)	537	705	952	1148	1438	2255	3290	4355	4355	5226
$E_r$ (MJ)	56	80	95	105	130	200	290	385	385	462

For BA 250-280 pls contact MGM. The indicative number of DC brake stops  $N_{intBM}$  between two successive air gap adjustments on a BM motor is given by the following formula:

$$N_{intBM} = E_{rBM} / W_b$$

$E_{rBM}$  values are shown at pag. 39 (BM section).

## Starting and braking time

Starting current for an asynchronous motor is always much higher than the nominal current. When the starting time is excessively long, there are electromechanical disturbances and higher temperatures on winding, damaging the motor. For information on maximum starting time allowed for each type of motor, please contact MGM. An indicative value for starting time  $t_s$  (expressed in seconds) and the angle of rotation  $\varphi_s$  (expressed in radians) can be obtained as follows:

$$t_s = \frac{(J_{mot} + J_{app}) \cdot n}{9.55 (T - T_{load})} \quad \varphi_s = \frac{t_a \cdot n}{19.1}$$

Where  $J_{app}$  ( $Kgm^2$ ) is the moment of inertia referred to the motor shaft,  $M_{load}$  (Nm) is the opposing torque to the motor,  $J_{mot}$  ( $Kgm^2$ ) is the moment of inertia of the motor,  $n$  (RPM) is the rated motor RPM,  $T$  is the average starting torque,  $T=(0,8 \div 0,9)T_s$  (see the technical data table for  $J_{mot}$ ,  $n$  and  $T_s$  of the selected motor).

An indicative braking time  $t_r$  (s) can be calculated as follows:  $t_r = \frac{J_{tot} \cdot n}{9.55 (T_b \pm T_{load})} + \frac{t_B}{1000}$

### Brake electrical reaction time $t_B$ (ms)

Motor Type	AC Brake	DC Brake (Standard)	DC Brake (Quick)
BA 71-80-90	7	80	20
BA 100-112	9	80	30
BA 132-160	12	85	30
BA 180-200	12	90	30
BA 225	14	100	35
BA 250	14	-	-
BA 280	14	-	-

Where:  $J_{tot}$  total moment of inertia at the motor shaft ( $Kgm^2$ )  
 $n$  motor RPM ( $min^{-1}$ )  
 $T_b$  brake torque (Nm)  
 $T_{load}$  resisting load torque (Nm) with + sign if matches the brake torque, or - sign if opposite.  
 $t_B$  brake electrical reaction time (ms)

Size	BA 71	BA 80	BA 90 S	BA 90 L	BA 100 L	BA 112 M	BA 132 S	BA 132 M	BA 160 M	BA 160 L	BA 180 L	BA 200 L	BA 225 S	BA 225 M	BA 250M	BA 280 S	BA 280 M
A	112	125	140	140	160	190	216	216	254	254	279	318	356	356	406	457	457
B	90	100	100	125	140	140	140	178	210	254	279	305	286	311	349	368	419
C	45	50	56	56	63	70	89	89	108	108	121	133	149	149	168	190	190
D*	14	19	24	24	28	28	38	38	42	42	48	55	60	60	65	65	75
d	M5	M6	M8	M8	M10	M10	M12	M12	M16	M16	M16	M16	M16	M16	M20	M20	M20
E*	30	40	50	50	60	60	80	80	110	110	110	110	140	140	140	140	140
Fa	9.5	11.5	11.5	11.5	14.5	14.5	14.5	14.5	18.5	18.5	18.5	18.5	18.5	18.5	18.5	18.5	18.5
Fb	M6	M6	M8	M8	M8	M8	M10	M10									
f	5	6	8	8	8	8	10	10	12	12	14	16	18	18	18	18	20
g	11	15.5	20	20	24	24	33	33	37	37	42.5	49	53	53	53	58	67.5
H	71	80	90	90	100	112	132	132	160	160	180	200	225	225	250	280	280
h	5	6	7	7	7	7	8	8	8	8	9	10	11	11	11	11	12
I	7	10	10	10	12	12	12	12	14.5	14.5	15	18.5	18	18	22	24	24
K	10.5	14	14	14	16	16	22	22	24	24	24	30	33	33	33	24	24
L	148	162	171	196	217	229											
L1	184	194	207	232	254	262	294	339	373	395	420	446	440	440	436	436	436
Ma	130	165	165	165	215	215	265	265	300	300	300	350	400	400	500	500	500
Mb	85	100	115	115	130	130	165	165									
Na	110	130	130	130	180	180	230	230	250	250	250	300	350	350	450	450	450
Nb	70	80	95	95	110	110	130	130									
Oa	3.5	3.5	3.5	3.5	4	4	4	4	5	5	5	5	5	5	5	5	5
Ob	2.5	3	3	3	3.5	3.5	3.5	3.5									
Pa	160	200	200	200	250	250	300	300	350	350	350	400	450	450	550	550	550
Pb	105	120	140	140	160	160	200	200									
Q	344	380	412	436	487	505	600	640	745	789	865	890	995	1000	1155	1155	1210
QBAF-BAPV	368	403	436	460	511	531	634	672	765	809	907	932	1014	1035			
R	80	80	98.5	98.5	98.5	98.5											
R1	135	135	170	170	170	170	199	199	268	268	268	268	327	327	327	327	327
S	10	12	12	12	14	14	15	15	15	15	15	15	20	20	18	18	18
V	8	9.5	10.5	10.5	12.5	13.5	16	16	21	21	24	24	32	32	32	40	40
W	105	113	127	127	138	158			165	165	188	188	224	224	252	252	252
W1	121	130	148	148	162	176	215	215	246	246	266	266	341	341	361	361	361
Y	145	160	180	180	196	218	265	265	324	324	357	357	430	430	493	493	493
Z	75	75	98.5	98.5	98.5	98.5											
Z1	86	86	112	112	112	112	151	151	167	167	167	167	202	202	202	202	202

\* 225S-225M 2 pole D=55 E=110, 250M 2 pole D=160 E=140, 280S-280M 2 pole D=65 E=140

- Notes:
- QBAF is the Q dimension for BAF series
  - QBAPV is the Q dimension for BAPV series
  - Cable glands are M 20 on size 71 up to 80
  - M 25 on size 90 up to 112
  - M 32 on size 132