

Technical Data Two Speed Motor – Two Windings



BM series

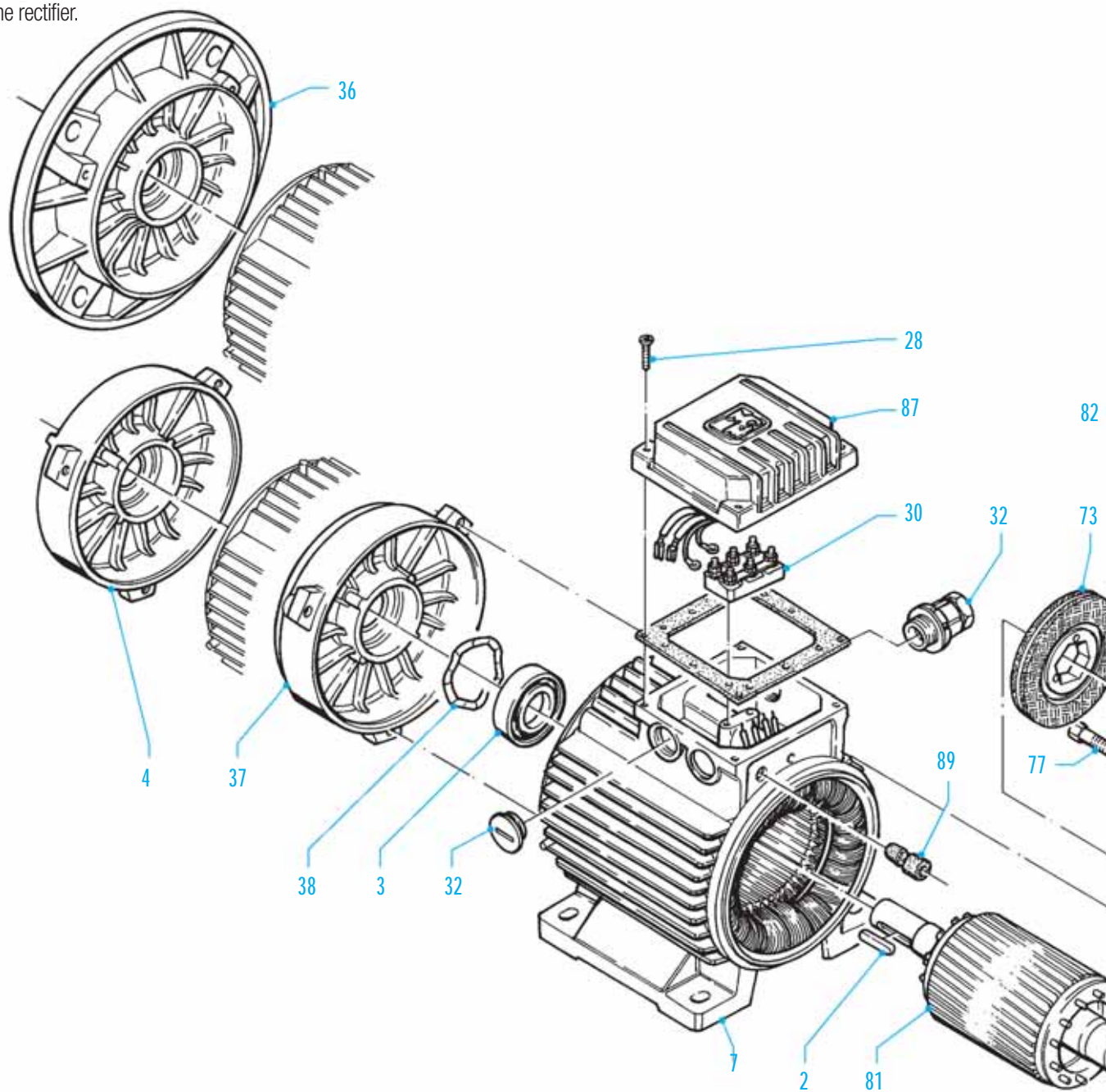
Motor type	Power (kW)	RPM	In 400 V (A)	Power factor Cos φ	Tn (Nm)	Ts/Tn	Is/In	DC brake In (mA)	Z ₀ (starts/hour)	Moment of inertia Jx 10 ⁻⁴ Kg·m ²	Max Brake torque (Nm)	A-Sound pressure dB(A)	Weight (Kg)
2 / 6 pole													3000 / 1000 RPM
BMDA 71 B2/6	0.25 0.08	2880 940	0.85 0.60	0.74 0.64	0.83 0.81	2.6 2.2	4.3 2.0	200	7300 14400	6.57	5	59 45	8.5
BMDA 71 C2/6	0.35 0.10	2880 940	1.05 0.60	0.75 0.59	1.16 1.02	2.6 2.2	5.0 2.3	200	6850 13500	7.90	5	59 45	9.5
BMDA 80 A2/6	0.37 0.12	2885 945	1.35 0.80	0.67 0.57	1.22 1.21	2.6 1.9	5.0 2.5	160	4150 11000	10.62	10	65 47	12.0
BMDA 80 B2/6	0.55 0.18	2885 945	1.75 1.05	0.67 0.57	1.82 1.82	2.6 1.9	5.0 2.5	160	3100 9200	12.84	10	65 47	13.0
BMDA 90 SA2/6	0.9 0.3	2875 950	2.10 1.15	0.86 0.65	2.99 3.02	2.5 2.2	5.0 2.5	190	2300 6850	21.74	20	72 54	16.5
BMDA 90 LA2/6	1.2 0.4	2875 950	2.80 1.55	0.86 0.65	3.99 4.02	2.5 2.2	5.0 2.5	190	2000 5450	26.12	20	72 54	19.5
BMDA 90 LB2/6	1.4 0.5	2890 940	3.20 1.80	0.86 0.55	4.63 5.08	2.7 2.5	5.0 3.0	190	1650 4100	30.16	20	72 54	20.5
BMDA 100 LA2/6	1.6 0.6	2810 900	3.70 1.90	0.85 0.68	5.44 6.37	2.6 2.3	5.4 3.4	250	1650 4100	44.50	40	74 56	25
BMDA 100 LB2/6	2.2 0.8	2800 910	4.80 2.50	0.90 0.67	7.50 8.40	2.6 2.3	5.4 3.4	250	1550 3650	53.43	40	74 56	28
BMDA 112 MB2/6	3.0 1.0	2870 950	6.40 3.20	0.86 0.61	9.98 10.05	3.0 3.2	7.0 4.5	470	450 3250	133.50	60	75 58	26
BMDA 132 SB2/6	4.0 1.3	2880 940	8.90 3.70	0.85 0.69	13.26 13.21	3.0 2.8	7.0 4.5	600	150 650	235.90	100	75 58	66
BMDA 132 MA2/6	5.5 1.8	2870 940	11.50 5.10	0.88 0.69	18.30 18.29	3.0 2.8	7.5 4.5	600	150 550	310.90	100	75 58	75
BMDA 132 MB2/6	7.0 2.2	2870 940	14.90 6.30	0.88 0.69	23.29 22.35	3.0 2.8	7.5 4.5	600	150 450	391.30	100	75 58	76
BMDA 160 MB2/6	8.0 2.5	2890 950	15.90 6.90	0.92 0.74	26.44 25.13	3.0 2.0	8.0 4.3	700	100 400	607.00	150	77 59	136
BMDA 160 LA2/6	11.0 3.6	2890 950	21.40 9.30	0.92 0.74	36.35 36.19	3.0 2.0	8.0 4.3	700	100 360	782.00	150	77 59	153
2 / 8 pole													3000 / 750 RPM
BMDA 63 C2/8	0.18 0.04	2850 635	0.60 0.45	0.78 0.70	0.60 0.60	2.2 1.9	5.0 2.1	200	2500 1800	3.55	5	55 42	5.5
BMDA 71 B2/8	0.25 0.06	2900 700	0.85 0.55	0.69 0.54	0.82 0.82	2.5 1.8	4.0 1.5	200	7300 17500	6.57	5	59 43	8.5
BMDA 71 C2/8	0.35 0.07	2900 700	1.05 0.75	0.70 0.52	1.15 0.96	2.5 2.2	4.3 1.6	200	6150 14400	7.90	5	59 43	9.5
BMDA 80 A2/8	0.37 0.09	2885 690	1.35 0.70	0.67 0.54	1.22 1.25	2.3 1.8	5.0 1.7	160	4100 13500	10.62	10	65 45	12.0
BMDA 80 B2/8	0.55 0.12	2885 690	1.75 0.90	0.67 0.54	1.82 1.66	2.3 2.0	5.0 1.7	160	3100 12750	12.84	10	65 45	13.0
BMDA 90 SB2/8	0.75 0.18	2800 610	1.90 1.05	0.77 0.65	2.56 2.82	3.0 2.1	5.1 1.9	190	1950 9250	21.74	20	72 46	16.5
BMDA 90 LA2/8	1.10 0.25	2800 640	2.70 1.45	0.80 0.64	3.75 3.73	3.0 2.1	5.1 1.9	190	1750 7750	26.12	20	72 46	19.5
BMDA 90 LB2/8	1.3 0.3	2820 640	3.10 1.75	0.81 0.58	4.40 4.48	3.2 2.4	5.7 2.0	190	1650 7250	30.16	20	72 46	20.5
BMDA 100 LA2/8	1.6 0.4	2810 660	3.70 2.00	0.85 0.58	5.44 5.79	2.7 2.0	5.3 2.2	250	1650 5750	44.50	40	73 49	25
BMDA 100 LB2/8	2.2 0.5	2800 660	4.80 2.50	0.90 0.59	7.50 7.23	2.8 2.3	5.7 2.3	250	1550 5100	53.43	40	73 49	29
BMDA 112 MB2/8	3.0 0.8	2860 690	6.30 3.50	0.87 0.63	10.02 11.07	3.3 2.6	7.5 3.2	470	650 4200	133.50	60	75 61	39
BMDA 132 SB2/8	4.0 1.1	2880 680	8.90 4.00	0.85 0.60	13.26 15.45	3.0 1.9	7.0 3.3	600	260 1100	235.90	100	75 62	66
BMDA 132 MA2/8	5.5 1.5	2870 680	11.50 5.60	0.88 0.59	18.30 21.07	3.0 2.0	7.5 3.0	600	250 1100	310.90	100	75 62	75
BMDA 132MB2/8	7.0 1.8	2870 680	14.90 7.30	0.88 0.59	23.29 25.28	3.0 2.0	7.5 3.0	600	250 1100	391.30	100	75 62	86
BMDA 160 MB2/8	8.0 2.2	2880 705	16.70 7.60	0.91 0.65	26.53 29.80	3.0 1.9	8.0 3.3	700	180 900	607.00	150	77 58	136
BMDA 160 LA2/8	11.0 3.0	2880 710	21.50 10.20	0.92 0.95	36.48 40.35	3.0 1.9	8.0 3.3	700	180 900	782.00	150	77 58	153

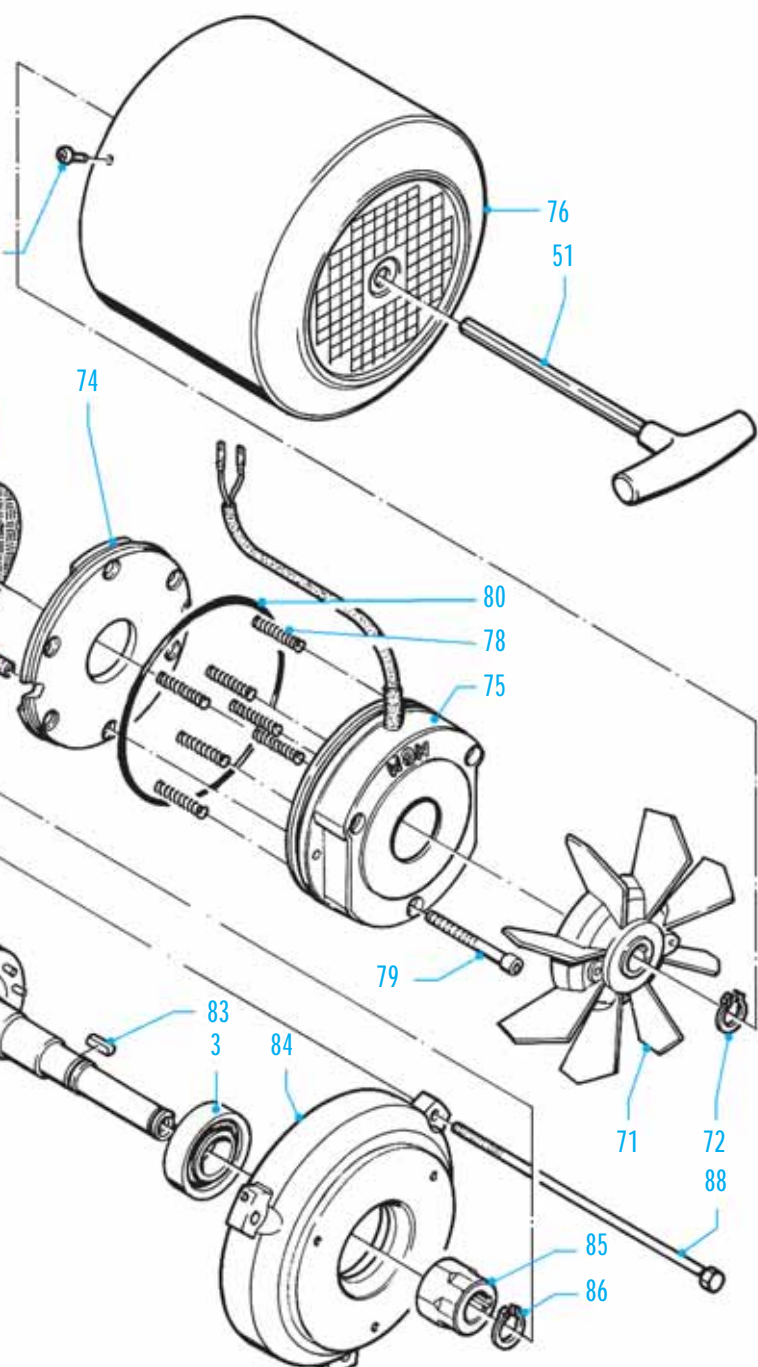
1. Motor characteristic values reported in the tables refer to continuous duty (S1) 50 Hz frequency ambient temperature max 40 °C altitude

3. The table shows the sound pressure noise level, measured at one metro range from the motor according to the Acoustic (ISO 1680). The

load according to the formula expressed at page 38. The number of starts with load (Z₀) is indicative and it has to be operationally tested

M.G.M. motori elettrici S.p.A. is present in more than 40 countries around the world with sales/parts outlets and customer service. Please contact MGM customer assistance to find further information about MGM in the world. To clearly identify a spare part it's necessary to provide the item number (shown on the drawing below), the motor type, the rated voltage and frequency supply for electric parts such as the stator, the brake coil and the rectifier.





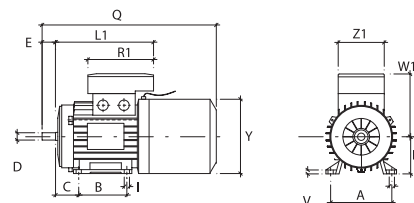
Key	2
Bearing Drive Side	3
Endshield Drive End	4
Stator Frame	7
Terminal Box screws	28
Terminal Box (single or double)	30
Cable Gland	32
Flange B5 (Flange Mounting)	36
Flange B14 (Face Mounting)	37
Elastic washer	38
Allen key for manual shaft rotation (on request only)	51
Fan	71
Fan Snap Ring	72
Brake Disc	73
Brake Moving Element	74
Brake Coil	75
Fan Cover	76
Connecting Screw	77
Adjustable or Fixed Springs	78
Brake Fixing Screw	79
Brake Assembly O-ring (BM 80-90-100)	80
Complete Rotor	81
Fan Cover Screw	82
Brake Assembly Key (BM 71-80-90-100)	83
Endshield Brake Side (rear cover)	84
Hexagonal Hub	85
Fixing Hub Snap Ring	86
Terminal Box with built-in rectifier	87
Tie Rod	88
Rubber Sleeve	89
Stainless steel plate (this item isn't showed on the drawing and it is used only for some types of motors)	90



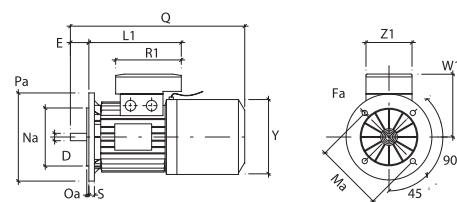
BMEAV Series Dimensions

Size	63	71	80	90S	90L	100L	112M	132S	132M	160M	160L
A	100	112	125	140	140	160	190	216	216	254	254
B	80	90	100	100	125	140	140	140	178	210	254
C	40	45	50	56	56	63	70	89	89	108	108
D	11	14	19	24	24	28	28	38	38	42	42
d	M4	M5	M6	M8	M8	M10	M10	M12	M12	M16	M16
E	23	30	40	50	50	60	60	80	80	110	110
Fa	9.5	9.5	11.5	11.5	11.5	14.5	14.5	14.5	14.5	18.5	18.5
Fb	M5	M6	M6	M8	M8	M8	M8	M10	M10		
f	4	5	6	8	8	8	8	10	10	12	12
g	8.5	11	15.5	20	20	24	24	33	33	37	37
H	63	71	80	90	90	100	112	132	132	160	160
h	4	5	6	7	7	7	7	8	8	8	8
I	7	7	10	10	10	12	12	12	12	14.5	14.5
K	10.5	10.5	14	14	14	16	16	22	22	24	24
L1	166	184	194	207	232	254	262	294	339	373	395
Ma	115	130	165	165	165	215	215	265	265	300	300
Mb	75	85	100	115	115	130	130	165	165		
Na	95	110	130	130	130	180	180	230	230	250	250
Nb	60	70	80	95	95	110	110	130	130		
Oa	3	3.5	3.5	3.5	3.5	4	4	4	4	5	5
Ob	2.5	2.5	3	3	3	3.5	3.5	3.5	3.5		
Pa	140	160	200	200	200	250	250	300	300	350	350
Pb	90	105	120	140	140	160	160	200	200		
Q	310	345	384	410	435	485	520	625	664	690	734
R1	135	135	135	170	170	170	170	199	199	268	268
S	10	10	12	12	12	14	14	15	15	15	15
V	7	8	9.5	10.5	10.5	12.5	13.5	16	16	21	21
W										155	155
W1	111	121	130	148	148	162	176	210	210	246	246
Y	121	136	153	178	178	198	219.5	255	255	310	310
Z1	86	86	86	112	112	112	112	151	151	167	167

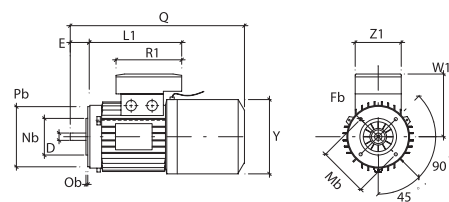
B3 (Foot Mounting)



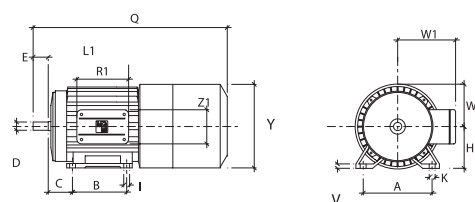
B5 (Flange Mounting)



B14 (Face Mounting)



Size 160 B3 (Foot Mounting)



Shaft End

