



BM series

# Technical Data Single Speed Motor – Single Winding

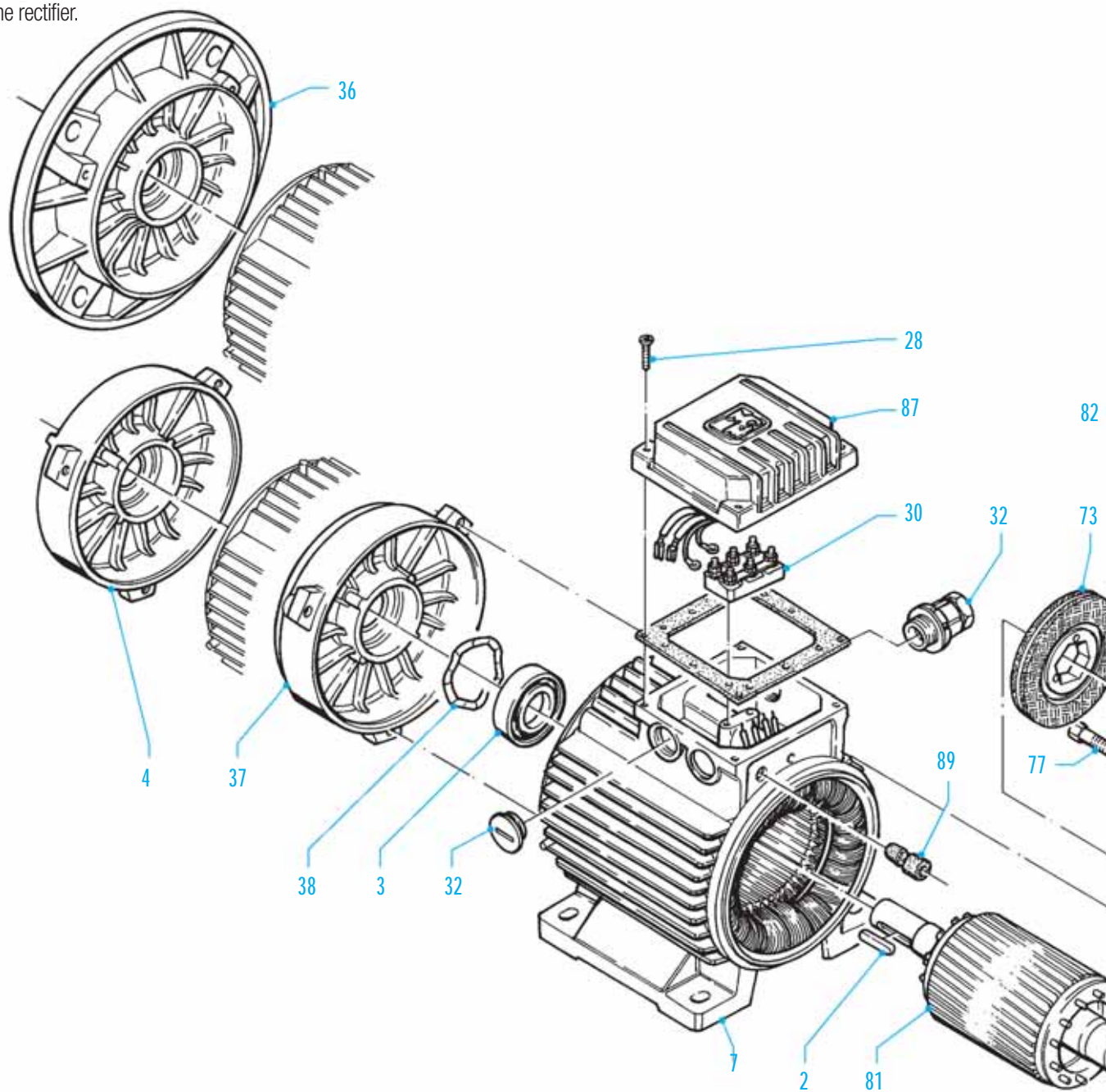
Motor type	Power (kW)	RPM	In 400 V (A)	Power factor Cos φ	Tn (Nm)	Ts/Tn	Is/In	DC brake In (mA)	Z <sub>0</sub> (starts/hour)	Moment of inertia Jx 10 <sup>-4</sup> Kg·m <sup>2</sup>	Max Brake torque (Nm)	A-Sound pressure dB(A)	Weight (Kg)
2 pole													3000 RPM
BM 56 A2	0.09	2820	0.38	0.60	0.30	3.0	3.8	130	10000	1.85	2	58	4.0
BM 56 B2	0.12	2760	0.40	0.69	0.42	3.0	3.8	130	10000	1.85	2	58	4.0
BM 63 A2	0.18	2800	0.60	0.71	0.61	3.0	3.5	200	9000	1.93	5	59	4.5
BM 63 B2	0.25	2800	0.75	0.76	0.85	3.5	5.0	200	7500	1.93	5	59	5.0
BM 63 C2*	0.37	2760	1.00	0.80	1.26	2.5	3.8	200	6000	2.30	5	59	5.5
BM 71 A2	0.37	2810	0.90	0.78	1.26	2.6	4.5	200	4150	3.35	5	59	7
BM 71 B2	0.55	2810	1.40	0.78	1.87	2.6	4.5	200	4150	3.95	5	59	8
BM 71 C2*	0.75	2810	1.80	0.80	2.55	2.5	4.5	200	3100	4.62	5	59	9
BM 80 A2	0.75	2800	1.70	0.86	2.56	3.1	5.3	160	3100	7.29	10	65	12
BM 80 B2	1.1	2800	2.40	0.86	3.75	3.1	5.3	160	3100	8.61	10	65	13
BM 90 SA2	1.5	2850	3.20	0.86	5.03	3.0	6.9	190	2550	14.54	20	72	17
BM 90 LA2	2.2	2840	4.50	0.86	7.40	3.0	6.9	190	2550	17.43	20	72	19
BM 100 LA2	3.0	2860	6.20	0.84	10.02	3.2	8.1	250	1850	33.18	40	74	23
BM 112 MB2	4.0	2880	8.10	0.84	13.26	2.5	7.4	470	1100	67.89	60	75	38
BM 112 MC2*	5.5	2880	11.40	0.85	18.24	2.5	7.4	470	900	83.70	60	75	40
BM 132 SA2	5.5	2890	10.8	0.86	18.17	2.8	7.4	600	350	150.90	100	75	59
BM 132 SB2	7.5	2890	14.6	0.85	24.78	2.8	7.4	600	350	189.90	100	75	65
BM 132 MA2*	9.2	2890	17.9	0.85	30.40	2.8	7.4	600	300	229.70	100	75	71
BM 132 MB2*	11.0	2890	21.4	0.85	36.35	2.8	7.4	600	300	267.70	100	75	78
BM 160 MA2	11.0	2920	19.5	0.94	35.98	3.0	8.8	700	250	461.00	150	77	142
BM 160 MB2	15.0	2930	26.3	0.93	48.89	3.1	8.8	700	250	461.00	150	77	142
BM 160 LA2	18.5	2930	32.4	0.93	60.30	3.1	8.8	700	250	540.00	150	77	153
4 pole													1500 RPM
BM 56 A4	0.06	1390	0.40	0.48	0.41	3.0	2.2	130	12000	1.85	2	41	4.0
BM 56 B4*	0.09	1320	0.41	0.61	0.65	3.0	2.2	130	12000	1.85	2	41	4.0
BM 56 C4	0.12	1320	0.55	0.61	0.87	3.0	2.2	130	12000	1.85	2	41	4.0
BM 63 A4	0.12	1330	0.45	0.70	0.86	2.0	2.4	200	12000	2.47	5	42	4.5
BM 63 B4	0.18	1350	0.60	0.71	1.27	3.0	2.8	200	12000	3.08	5	42	5.0
BM 63 C4*	0.22	1350	0.75	0.66	1.56	2.8	3.1	200	12000	3.55	5	42	5.5
BM 63 D4*	0.30	1350	1.05	0.64	2.12	2.8	3.0	200	12000	3.83	5	42	6.0
BM 71 A4	0.25	1400	0.80	0.65	1.71	2.5	3.7	200	10300	5.67	5	45	7.0
BM 71 B4	0.37	1400	1.10	0.68	2.52	2.7	3.9	200	10300	6.57	5	45	8.0
BM 71 C4*	0.55	1360	1.65	0.70	3.86	2.4	3.7	200	8150	7.90	5	45	9.0
BM 71 D4*	0.65	1350	2.00	0.69	4.60	2.1	3.7	200	8150	8.39	5	45	9.5
BM 80 A4	0.55	1400	1.70	0.69	3.75	2.1	4.0	160	8150	10.62	10	47	12.0
BM 80 B4	0.75	1400	2.20	0.67	5.12	2.5	4.3	160	7250	12.84	10	47	13.0
BM 80 C4*	0.90	1390	2.60	0.68	6.18	2.8	4.5	160	5150	13.95	10	47	14.0
BM 90 SA4	1.10	1400	2.70	0.77	7.50	2.3	4.6	190	5150	21.74	20	55	16.5
BM 90 LA4	1.50	1400	3.60	0.75	10.23	2.7	4.8	190	4100	26.12	20	55	19.0
BM 90 LB4*	1.85	1400	4.30	0.77	12.62	2.7	5.8	190	4100	30.16	20	55	21.5
BM 90 LC4*	2.2	1390	5.40	0.75	15.12	2.7	5.0	190	4100	30.16	20	55	21.5
BM 100 LA4	2.2	1410	5.00	0.78	14.90	2.5	5.4	250	3300	44.50	40	57	25
BM 100 LB4	3.0	1410	6.50	0.80	20.32	2.8	6.4	250	3300	53.43	40	57	29
BM 112 MB4	4.0	1415	8.10	0.84	27.00	2.6	6.4	470	1600	133.50	60	61	39
BM 112 MC4*	5.5	1420	11.50	0.83	36.99	2.8	6.9	470	1100	155.00	60	61	44
BM 132 SB4	5.5	1430	11.30	0.82	36.73	2.4	6.0	600	500	235.90	100	62	66
BM 132 MA4	7.5	1435	14.80	0.84	49.91	2.4	6.0	600	400	310.90	100	62	75
BM 132 MB4*	9.2	1445	18.30	0.85	60.80	2.5	6.3	600	400	391.30	100	62	88
BM 132 MBX4*	11.0	1440	21.70	0.86	72.95	2.5	6.0	600	400	391.30	100	62	88
BM 160 MA4	9.2	1460	18.60	0.84	60.18	3.0	7.0	700	370	531.00	150	63	130

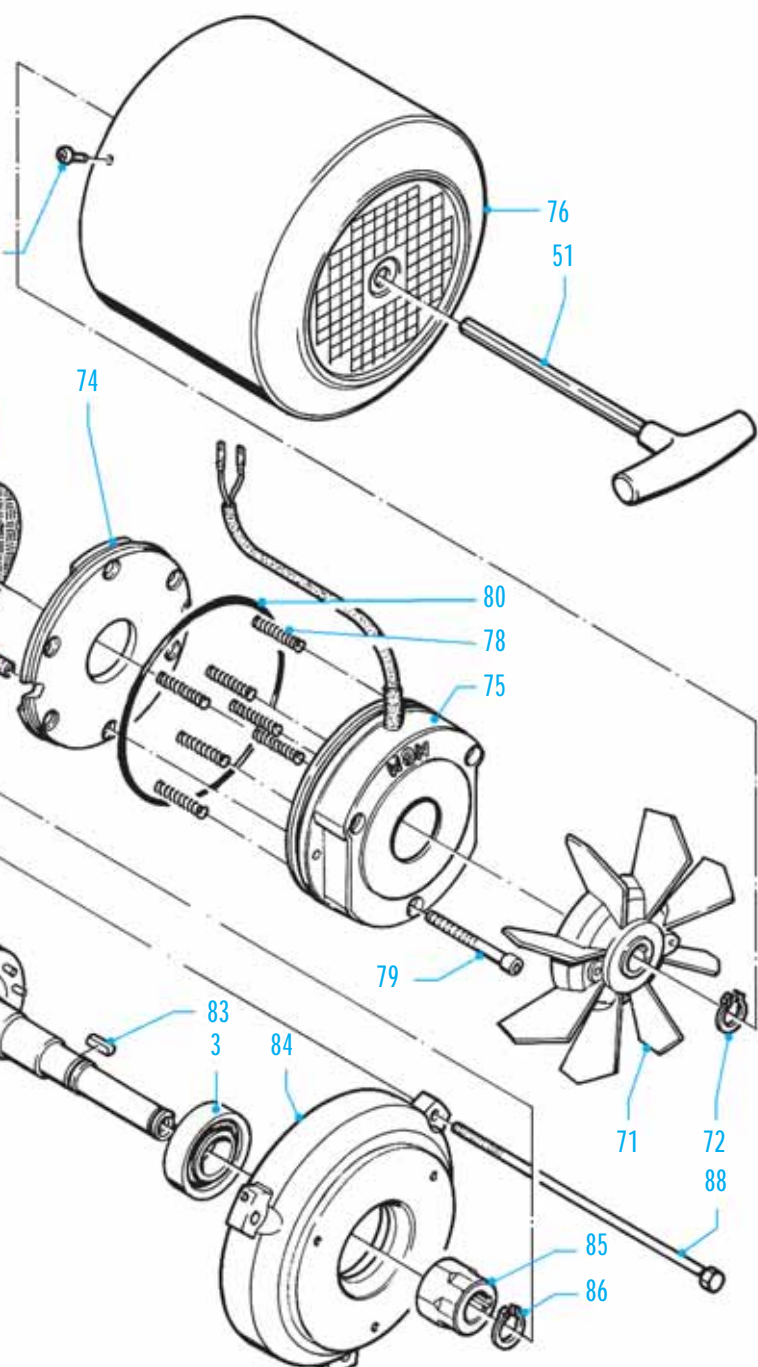


[www.servorecambios.com](http://www.servorecambios.com)  
[www.sr-electricmotors.com](http://www.sr-electricmotors.com)

Barcelona • Telf. (+34) 93 462 08 19 • Fax. (+34) 93 462 07 88

M.G.M. motori elettrici S.p.A. is present in more than 40 countries around the world with sales/parts outlets and customer service. Please contact MGM customer assistance to find further information about MGM in the world. To clearly identify a spare part it's necessary to provide the item number (shown on the drawing below), the motor type, the rated voltage and frequency supply for electric parts such as the stator, the brake coil and the rectifier.





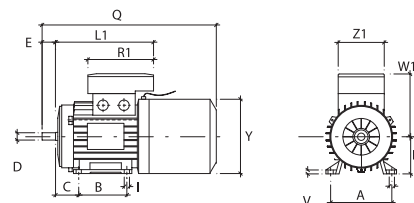
Key	2
Bearing Drive Side	3
Endshield Drive End	4
Stator Frame	7
Terminal Box screws	28
Terminal Box (single or double)	30
Cable Gland	32
Flange B5 (Flange Mounting)	36
Flange B14 (Face Mounting)	37
Elastic washer	38
Allen key for manual shaft rotation (on request only)	51
Fan	71
Fan Snap Ring	72
Brake Disc	73
Brake Moving Element	74
Brake Coil	75
Fan Cover	76
Connecting Screw	77
Adjustable or Fixed Springs	78
Brake Fixing Screw	79
Brake Assembly O-ring (BM 80-90-100)	80
Complete Rotor	81
Fan Cover Screw	82
Brake Assembly Key (BM 71-80-90-100)	83
Endshield Brake Side (rear cover)	84
Hexagonal Hub	85
Fixing Hub Snap Ring	86
Terminal Box with built-in rectifier	87
Tie Rod	88
Rubber Sleeve	89
Stainless steel plate (this item isn't showed on the drawing and it is used only for some types of motors)	90



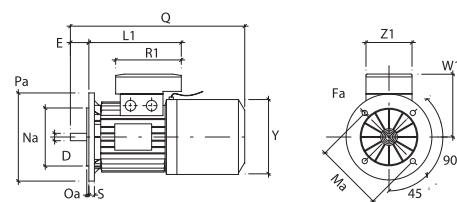
## BMEAV Series Dimensions

Size	63	71	80	90S	90L	100L	112M	132S	132M	160M	160L
A	100	112	125	140	140	160	190	216	216	254	254
B	80	90	100	100	125	140	140	140	178	210	254
C	40	45	50	56	56	63	70	89	89	108	108
D	11	14	19	24	24	28	28	38	38	42	42
d	M4	M5	M6	M8	M8	M10	M10	M12	M12	M16	M16
E	23	30	40	50	50	60	60	80	80	110	110
Fa	9.5	9.5	11.5	11.5	11.5	14.5	14.5	14.5	14.5	18.5	18.5
Fb	M5	M6	M6	M8	M8	M8	M8	M10	M10		
f	4	5	6	8	8	8	8	10	10	12	12
g	8.5	11	15.5	20	20	24	24	33	33	37	37
H	63	71	80	90	90	100	112	132	132	160	160
h	4	5	6	7	7	7	7	8	8	8	8
I	7	7	10	10	10	12	12	12	12	14.5	14.5
K	10.5	10.5	14	14	14	16	16	22	22	24	24
L1	166	184	194	207	232	254	262	294	339	373	395
Ma	115	130	165	165	165	215	215	265	265	300	300
Mb	75	85	100	115	115	130	130	165	165		
Na	95	110	130	130	130	180	180	230	230	250	250
Nb	60	70	80	95	95	110	110	130	130		
Oa	3	3.5	3.5	3.5	3.5	4	4	4	4	5	5
Ob	2.5	2.5	3	3	3	3.5	3.5	3.5	3.5		
Pa	140	160	200	200	200	250	250	300	300	350	350
Pb	90	105	120	140	140	160	160	200	200		
Q	310	345	384	410	435	485	520	625	664	690	734
R1	135	135	135	170	170	170	170	199	199	268	268
S	10	10	12	12	12	14	14	15	15	15	15
V	7	8	9.5	10.5	10.5	12.5	13.5	16	16	21	21
W										155	155
W1	111	121	130	148	148	162	176	210	210	246	246
Y	121	136	153	178	178	198	219.5	255	255	310	310
Z1	86	86	86	112	112	112	112	151	151	167	167

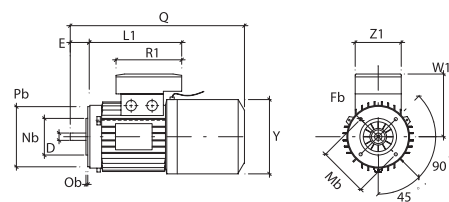
### B3 (Foot Mounting)



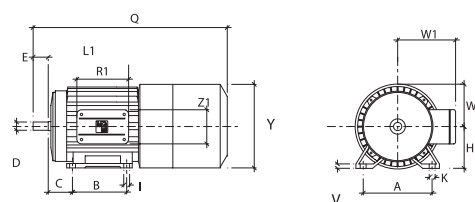
### B5 (Flange Mounting)



### B14 (Face Mounting)



### Size 160 B3 (Foot Mounting)



### Shaft End

