

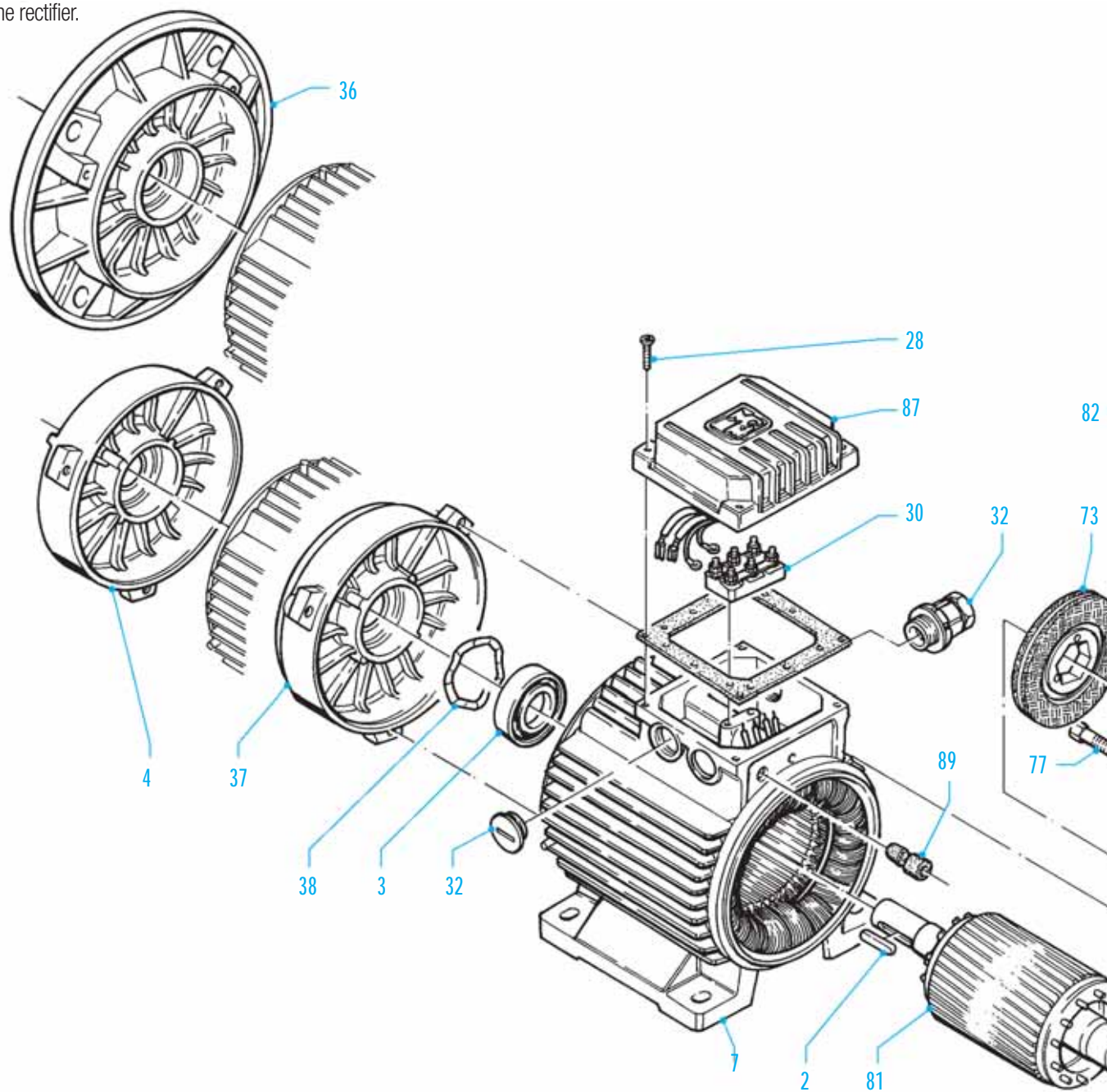
# Technical Data Two Speed Motor – Two Windings

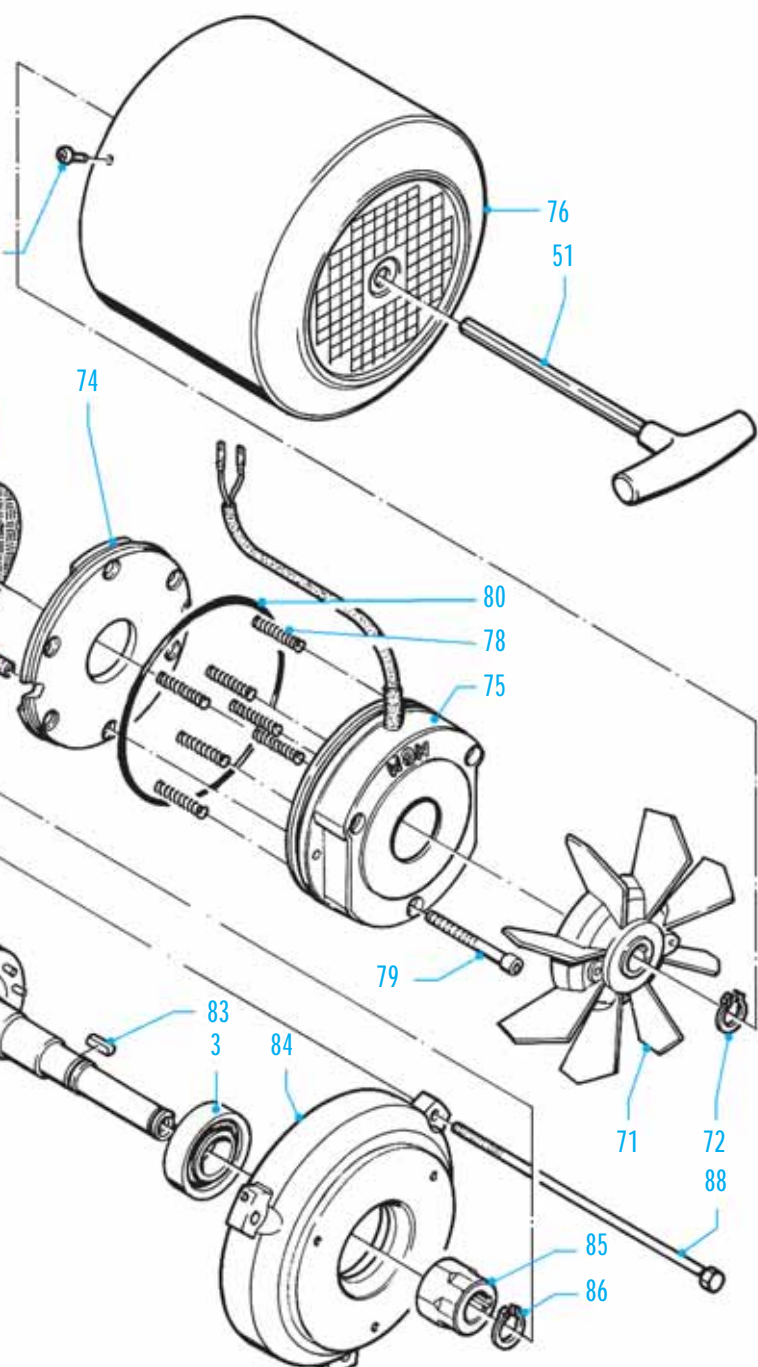
Motor type	Power (kW)	RPM	In 400 V (A)	Power factor Cos φ	Tn (Nm)	Ts/Tn	Is/In	DC brake In (mA)	Z <sub>0</sub> (starts/hour)	Moment of inertia Jx 10 <sup>-4</sup> Kg·m <sup>2</sup>	Max Brake torque (Nm)	A-Sound pressure dB(A)	Weight (Kg)
<b>4 / 6 pole</b>													1500 / 1000 RPM
BMDA 71 C4/6	0.18 0.11	1415 930	0.60 0.50	0.76 0.66	1.21 1.13	1.9 2.0	3.0 2.3	200	14500 19500	10.82	5	45 45	8.5
BMDA 80 A4/6	0.25 0.18	1430 930	0.85 0.80	0.79 0.71	1.67 1.85	2.2 1.8	4.3 3.0	160	8250 11500	19.05	10	47 47	12.0
BMDA 80 B4/6	0.37 0.25	1430 930	1.05 0.95	0.79 0.71	2.47 2.57	2.2 1.8	4.3 3.0	160	1300 10300	22.86	10	47 47	13.0
BMDA 90 SA4/6	0.55 0.37	1420 950	1.60 1.45	0.78 0.62	3.70 3.72	1.9 2.1	3.8 3.3	190	6900 9750	31.52	20	55 54	16.5
BMDA 90 LB4/6	0.75 0.55	1420 950	2.20 1.90	0.78 0.62	5.04 5.53	2.0 2.1	3.8 3.3	190	5700 8200	41.67	20	55 54	19.5
BMDA 100 LA4/6	1.1 0.8	1445 955	3.00 2.40	0.76 0.71	7.27 8.00	2.0 2.1	5.3 4.4	250	3100 4400	80.76	40	57 56	26
BMDA 100 LB4/6	1.5 1.1	1440 950	3.90 3.30	0.75 0.68	9.95 11.06	2.0 2.1	5.2 4.4	250	3000 4200	92.55	40	57 56	28
BMDA 112 MB4/6	2.0 1.3	1385 930	4.40 3.50	0.88 0.75	13.79 13.35	2.6 2.1	5.3 4.4	470	1550 3300	200.60	60	75 61	39
BMDA 132 SB4/6	2.2 1.5	1440 950	5.10 4.40	0.78 0.69	14.59 15.08	2.9 2.6	7.0 5.5	600	360 600	304.90	100	75 62	66
BMDA 132 MA4/6	3.0 2.2	1440 950	6.40 6.00	0.81 0.71	19.90 22.12	2.7 2.4	7.0 5.0	600	360 600	360.70	100	75 62	71
BMDA 132 MB4/6	3.7 2.5	1440 950	8.20 7.00	0.78 0.69	24.54 25.13	2.9 2.6	7.0 5.5	600	300 550	467.70	100	75 62	82
BMDA 160 MB4/6	5.5 3.7	1390 940	11.10 8.90	0.93 0.81	37.79 37.59	2.5 2.3	5.8 5.2	700	240 420	867.00	150	63 59	138
BMDA 160 LB4/6	7.5 5.0	1390 940	15.20 12.20	0.93 0.81	51.53 50.80	2.5 2.3	6.0 5.2	700	240 420	1160.00	150	63 59	156
<b>4 / 12 pole</b>													<b>S3 40%</b> 1500 / 500 RPM
BMDA 80 A4/12	0.25 0.05	1425 435	0.85 0.60	0.77 0.663	1.68 1.10	1.8 1.9	3.7 1.6	160	4300 8000	19.05	10	47 43	12.0
BMDA 80B4/12	0.37 0.07	1425 435	1.05 0.75	0.77 0.63	2.48 1.54	1.8 1.9	3.7 1.6	160	4200 8000	22.86	10	47 43	13.0
BMDA 90 SA4/12	0.40 0.13	1360 380	1.25 1.05	0.73 0.59	2.81 3.27	2.5 2.0	3.5 1.6	190	3200 6100	31.52	20	55 44	16.5
BMDA 90 LA4/12	0.55 0.18	1400 400	1.65 1.20	0.76 0.64	3.75 4.30	2.5 1.8	3.5 1.6	190	3000 5900	41.67	20	55 44	19.5
BMDA 90 LB4/12	0.75 0.22	1370 400	2.05 1.60	0.76 0.65	5.23 5.25	2.5 2.0	3.5 1.6	190	2850 5700	48.21	20	55 44	20.5
BMDA 100 LA4/12	0.90 0.25	1440 450	2.30 2.10	0.76 0.50	5.97 5.31	2.2 1.8	5.3 1.7	250	1950 4700	80.76	40	57 47	26
BMDA 100 LB4/12	1.10 0.35	1440 450	2.80 2.60	0.76 0.50	7.30 7.43	2.2 1.8	5.3 1.7	250	1850 4500	92.55	40	57 47	28
BMDA 112 MB4/12	1.50 0.45	1420 440	3.40 2.40	0.84 0.55	10.09 9.77	2.2 2.0	6.0 2.2	470	780 4300	200.60	60	75 61	39
BMDA 132 SA4/12	2.50 0.80	1440 440	5.40 3.80	0.81 0.53	16.58 17.36	2.7 1.6	7.0 2.4	600	400 1100	304.90	100	75 62	67
BMDA 132 MA4/12	3.00 1.00	1440 440	6.40 4.50	0.81 0.53	19.90 21.70	2.7 1.6	7.0 2.4	600	400 1100	360.70	100	75 62	71
BMDA 132 MB4/12	4.00 1.30	1140 440	8.50 5.90	0.81 0.55	33.51 28.22	2.7 1.6	7.0 2.4	600	400 1100	467.70	100	75 62	82
BMDA 160 MB4/12	4.80 1.60	1425 455	10.00 7.20	0.89 0.57	32.17 33.58	2.8 2.0	7.5 3.0	700	300 850	867.00	150	63 61	138
BMDA 160 LB4/12	7.30 2.40	1410 445	15.20 10.10	0.90 0.61	49.44 51.51	2.8 2.0	7.0 3.0	700	300 850	1160.00	150	63 61	156

1. Motor characteristic values reported in the tables refer to continuous load according to the formula expressed at page 38. The number of starts per hour is limited to 100 starts per hour.

3. The table shows the sound pressure noise level, measured at one meter from the motor.

M.G.M. motori elettrici S.p.A. is present in more than 40 countries around the world with sales/parts outlets and customer service. Please contact MGM customer assistance to find further information about MGM in the world. To clearly identify a spare part it's necessary to provide the item number (shown on the drawing below), the motor type, the rated voltage and frequency supply for electric parts such as the stator, the brake coil and the rectifier.





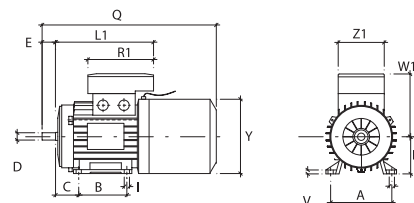
Key	2
Bearing Drive Side	3
Endshield Drive End	4
Stator Frame	7
Terminal Box screws	28
Terminal Box (single or double)	30
Cable Gland	32
Flange B5 (Flange Mounting)	36
Flange B14 (Face Mounting)	37
Elastic washer	38
Allen key for manual shaft rotation (on request only)	51
Fan	71
Fan Snap Ring	72
Brake Disc	73
Brake Moving Element	74
Brake Coil	75
Fan Cover	76
Connecting Screw	77
Adjustable or Fixed Springs	78
Brake Fixing Screw	79
Brake Assembly O-ring (BM 80-90-100)	80
Complete Rotor	81
Fan Cover Screw	82
Brake Assembly Key (BM 71-80-90-100)	83
Endshield Brake Side (rear cover)	84
Hexagonal Hub	85
Fixing Hub Snap Ring	86
Terminal Box with built-in rectifier	87
Tie Rod	88
Rubber Sleeve	89
Stainless steel plate (this item isn't showed on the drawing and it is used only for some types of motors)	90



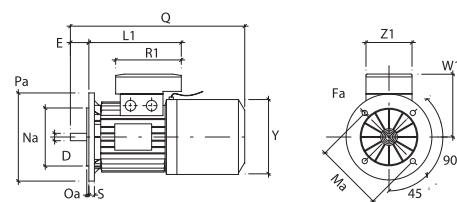
## BMEAV Series Dimensions

Size	63	71	80	90S	90L	100L	112M	132S	132M	160M	160L
A	100	112	125	140	140	160	190	216	216	254	254
B	80	90	100	100	125	140	140	140	178	210	254
C	40	45	50	56	56	63	70	89	89	108	108
D	11	14	19	24	24	28	28	38	38	42	42
d	M4	M5	M6	M8	M8	M10	M10	M12	M12	M16	M16
E	23	30	40	50	50	60	60	80	80	110	110
Fa	9.5	9.5	11.5	11.5	11.5	14.5	14.5	14.5	14.5	18.5	18.5
Fb	M5	M6	M6	M8	M8	M8	M8	M10	M10		
f	4	5	6	8	8	8	8	10	10	12	12
g	8.5	11	15.5	20	20	24	24	33	33	37	37
H	63	71	80	90	90	100	112	132	132	160	160
h	4	5	6	7	7	7	7	8	8	8	8
I	7	7	10	10	10	12	12	12	12	14.5	14.5
K	10.5	10.5	14	14	14	16	16	22	22	24	24
L1	166	184	194	207	232	254	262	294	339	373	395
Ma	115	130	165	165	165	215	215	265	265	300	300
Mb	75	85	100	115	115	130	130	165	165		
Na	95	110	130	130	130	180	180	230	230	250	250
Nb	60	70	80	95	95	110	110	130	130		
Oa	3	3.5	3.5	3.5	3.5	4	4	4	4	5	5
Ob	2.5	2.5	3	3	3	3.5	3.5	3.5	3.5		
Pa	140	160	200	200	200	250	250	300	300	350	350
Pb	90	105	120	140	140	160	160	200	200		
Q	310	345	384	410	435	485	520	625	664	690	734
R1	135	135	135	170	170	170	170	199	199	268	268
S	10	10	12	12	12	14	14	15	15	15	15
V	7	8	9.5	10.5	10.5	12.5	13.5	16	16	21	21
W										155	155
W1	111	121	130	148	148	162	176	210	210	246	246
Y	121	136	153	178	178	198	219.5	255	255	310	310
Z1	86	86	86	112	112	112	112	151	151	167	167

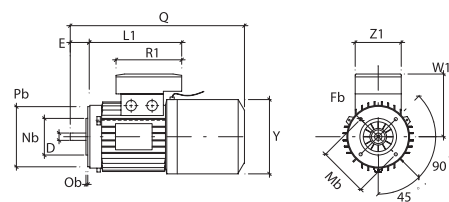
### B3 (Foot Mounting)



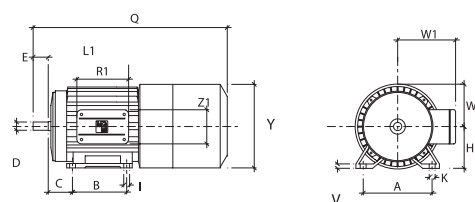
### B5 (Flange Mounting)



### B14 (Face Mounting)



### Size 160 B3 (Foot Mounting)



### Shaft End

