





































Cont. output (kW)	Base speed (min <sup>-1</sup> ) at armature voltage (V)					Rated armature current (A)	Torque (Nm)	Max. electrical speed** min <sup>-1</sup>	Efficiency (%)	Armature circuit		Code number
	180	310	400	440	460					Resistance (Ohm)	Inductance (mH)	
3.25				765		10.5	40.6	1600	70.6	8.30	173	2320
3.45					820	10.4	40.2	1700	71.9	8.30	173	2320
3.66			840			12.8	41.6	1900	71.4	5.80	114	1914
4.14				950		12.8	41.6	2100	73.8	5.80	114	1914
4.40					1020	12.8	41.4	2200	74.7	5.80	114	1914
3.35		780				15.5	41.0	1650	69.8	4.00	75.0	1566
4.70			1080			15.6	41.8	2400	75.4	4.00	75.0	1566
5.30				1210		15.6	41.8	2600	77.4	4.00	75.0	1566
5.60					1300	15.5	41.3	2700	78.3	4.00	75.0	1566
4.40		1040				18.7	40.4	2000	75.7	2.50	49.0	1276
6.10			1410			19.1	41.3	2600	79.9	2.50	49.0	1276
6.90				1560		19.4	42.3	2800	80.9	2.50	49.0	1276
7.25					1650	19.3	42.1	3000	81.7	2.50	49.0	1276
3.30	775					26.1	40.7	1750	70.2	1.30	26.0	0928
6.60		1530				26.3	41.1	3200	80.9	1.30	26.0	0928
8.90			2030			26.5	41.9	4000	84.0	1.30	26.0	0928
9.70				2260		25.9	41.0	4250	85.2	1.30	26.0	0928
10.40					2380	26.5	41.7	4500	85.3	1.30	26.0	0928
4.31	1535					31.8	26.9	3600	75.3	0.50	10.0	0580
9.00		2590				33.3	33.3	4100	87.0	0.05	10.0	0580
12.50			3450			35.7	34.6	4200	87.1	0.50	10.0	0580
14.00				3850		36.4	34.7	4400	87.1	0.50	10.0	0580
14.60					4000	36.4	34.9	4500	87.1	0.50	10.0	0580
9.80	3010					62.8	31.1	4500	86.7	0.13	2.30	0290

\*\*Through field control with constant output. Please specify.

Field loss (hot) = 495 W

Cont. output (kW)	Base speed (min <sup>-1</sup> ) at armature voltage (V)					Rated armature current (A)	Torque (Nm)	Max. elec. speed** min <sup>-1</sup>	Efficiency (%)	Armature circuit		Code number
	180	310	400	440	460					Resistance (Ohm)	Inductance (mH)	
5.10					760	14.9	64.1	1900	74.4	5.00	96.0	1566
5.60			825			18.4	64.8	1800	76.0	3.30	63.0	1275
6.25				935		18.2	63.9	2000	78.1	3.30	63.0	1275
6.60					985	18.2	64.0	2000	78.8	3.30	63.0	1275
5.90		840				24.8	67.1	1750	76.7	1.80	38.0	0986
7.95			1150			24.5	66.3	2350	81.1	1.80	38.0	0986
8.80				1290		24.2	65.4	2500	82.7	1.80	38.0	0986
9.30					1360	24.3	65.6	2600	83.2	1.80	38.0	0986
6.70		985				27.2	65.0	2100	79.4	1.43	30.0	0870
9.15			1330			27.6	65.7	2800	82.8	1.43	30.0	0870
10.0				1500		27.0	63.9	3200	84.3	1.43	30.0	0870
10.6					1570	27.2	64.5	3300	84.7	1.43	30.0	0870
8.80		1270				34.6	66.2	2600	82.0	0.93	19.7	0696
11.90			1730			35.0	65.9	3500	85.0	0.93	19.7	0696
13.20				1920		34.9	65.7	3800	86.0	0.93	19.7	0696
13.80					2020	34.7	65.3	4000	86.4	0.93	19.7	0696
6.40	930					45.9	65.7	2100	77.5	0.53	11.0	0522
12.00		1780				45.5	65.6	3400	85.1	0.53	11.0	0522
16.20			2380			46.4	65.2	3600	87.3	0.53	11.0	0522
17.80				2640		46.0	64.5	3800	88.0	0.53	11.0	0522
18.40					2770	45.3	63.5	4000	88.3	0.53	11.0	0522
9.00	1520					58.8	56.6	2800	85.1	0.22	4.4	0348
15.00		2770				54.7	51.7	3600	88.5	0.22	4.4	0348
18.00			3600			51.2	47.8	4200	86.6	0.22	4.4	0348
20.00				4000		52.4	47.8	4600	86.7	0.22	4.4	0348
21.00					4180	52.9	48.0	4800	86.2	0.22	4.4	0348

\*\*Through field control with constant output. Please specify.

Field loss (hot) = 650 W

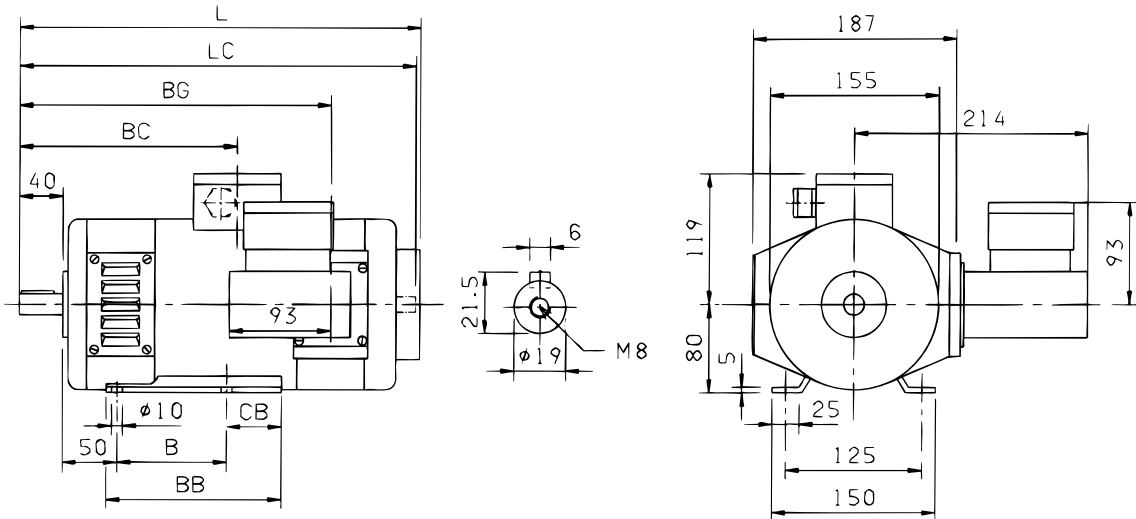
Cont. output (kW)	Base speed (min <sup>-1</sup> ) at armature voltage (V)					Rated armature current (A)	Torque (Nm)	Max. elec. speed** min <sup>-1</sup>	Efficiency (%)	Armature circuit		Code number
	180	310	400	440	460					Resistance (Ohm)	Inductance (mH)	
5.60				720		16.3	74.3	1800	78.0	3.60	89.00	1218
5.95					760	16.5	74.8	2000	78.6	3.60	89.00	1218
4.70		605				20.1	75.5	1250	75.5	2.35	57.00	0986
6.50			820			20.4	75.7	1700	79.7	2.35	57.00	0986
7.25				920		20.3	75.3	2000	81.3	2.35	57.00	0986
7.65					970	20.3	75.3	2200	81.9	2.35	57.00	0986
6.50		840				26.2	73.9	1650	80.0	1.40	33.00	0754
8.75			1130			26.2	74.3	1900	83.4	1.40	33.00	0754
9.90				1260		26.7	75.0	2200	84.3	1.40	33.00	0754
10.20					1320	26.1	73.8	2400	85.0	1.40	33.00	0754
6.90		920				27.3	71.6	2500	81.7	1.20	28.00	0696
9.40			1240			27.8	72.4	3000	84.6	1.20	28.00	0696
10.30				1380		27.3	71.0	3400	85.6	1.20	28.00	0696
10.80					1450	27.3	71.2	3600	86.0	1.20	28.00	0696
9.50		1290				36.1	70.4	3000	84.8	0.70	16.00	0522
12.70			1700			36.6	71.4	3500	86.8	0.70	16.00	0522
14.00				1910		36.3	70.2	3800	87.7	0.70	16.00	0522
14.80					2000	36.6	70.7	4000	87.9	0.70	16.00	0522
6.88	985					47.1	66.7	2900	81.2	0.45	9.70	0406
12.60		1680				47.2	71.6	3000	86.1	0.45	9.70	0406
16.60			2230			47.2	71.3	3500	87.9	0.45	9.70	0406
17.80				2470		45.7	69.0	3800	88.5	0.45	9.70	0406
19.20					2600	47.1	70.5	4000	88.7	0.45	9.70	0406
8.10	1090					54.2	71.0	2000	83.1	0.30	6.90	0348
14.70		2010				54.0	69.9	3000	87.9	0.30	6.90	0348
19.40			2640			54.5	70.2	3500	89.0	0.30	6.90	0348
21.20				2930		53.9	69.3	3800	89.3	0.30	6.90	0348
22.20					3050	54.1	69.5	4000	89.3	0.30	6.90	0348

\*\*Through field control with constant output. Please specify.

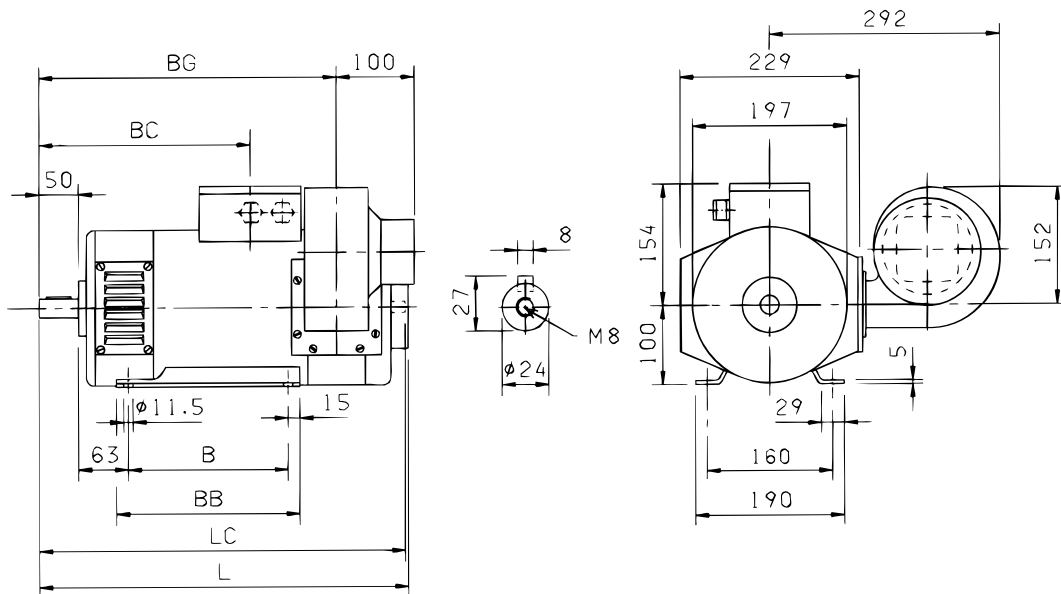
Field loss (hot) = 700 W

Dimensions in mm

## LAK 2080

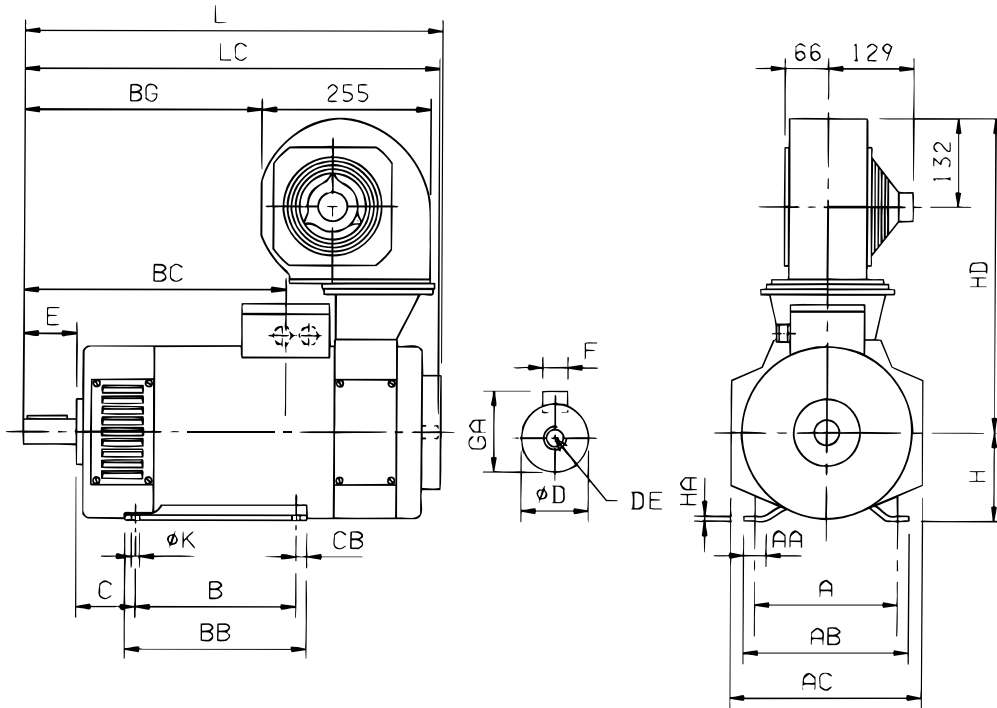


## LAK 2100



LAK	B	BB	BC	BG	CB	L	LC	L with tachometer*	Weight kg
2080A	100	160	199	285	50	367	363	553	23
2080B	100	160	230	316	50	398	394	584	26
2080C	178	198	279	365	10	447	443	633	31
2100A	140	170	228	338	-	430	426	616	40
2100B	203	233	268	378	-	470	466	656	48
2100C	203	233	328	438	-	530	526	716	59

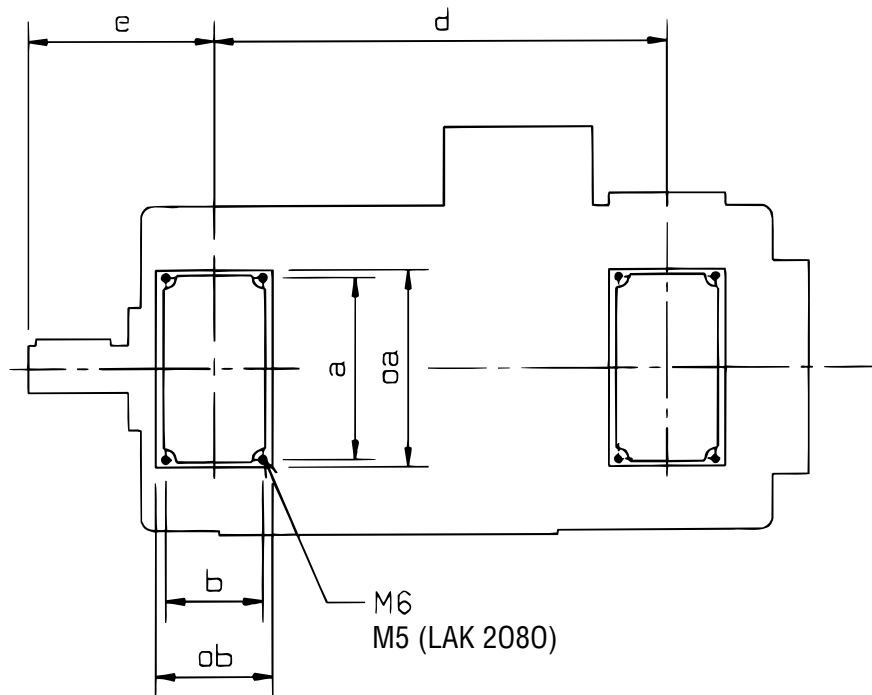
Dimensions in mm



LAK	A	AA	AB	AC	B	BB	BC	BG	CB	D	DE
2112A	190	29	220	253	159	190	265	219	15,5	28	M10
2112B					229	260	313	267			
2112C					229	260	378	332			
2132A	216	34	250	290	178	210	318	276	16	38	M12
2132B					241	273	393	351			
2132C					306	338	459	416			

LAK	E	F	GA	H	HA	HD	K	L	LC	L with tachometer*	Weight kg
2112A	60	8	31	112	5	449	12	483	479	669	61
2112B								531	527	710	73
2112C								596	592	782	91
2132A	80	10	41	132	6	464	12	553	549	735	90
2132B					8			628	624	810	115
2132C					8			693	689	875	140

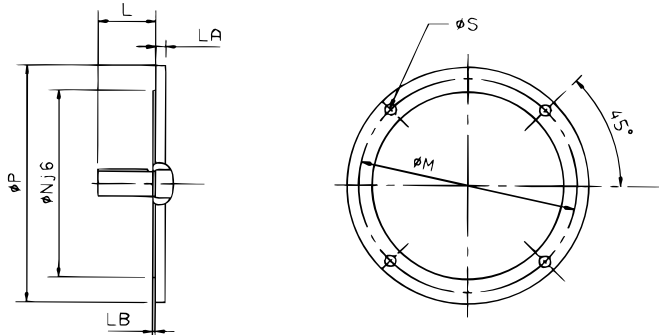
Dimensions in mm



LAK	a	b	d	e	oa	ob
2080A	82	48	192	93	94	62
2080B			223			
2080C			272			
2100A	105	60	230	108	117	74
2100B			270			
2100C			330			
2112A	120	70	258	124	132	86
2112B			306			
2112C			371			
2132A	145	78	290	149	157	94
2132B			365			
2132C			430			

Dimensions in mm

Drive end (IM 2001/3001)



LAK	Flange	L	LA	LB	M	N	P	S
2080	F165	40	10	3.5	165	130	200	12
2100	F215	50	11	4	215	180	250	15
2112	F215	60	11	4	215	180	250	15
2132	F265	80	10	5	265	230	300	19

Non drive end LAK 2080-2100-2112

Non drive end LAK 2132

