

AC centrifugal fans – RadiCal

backward curved, Ø 225



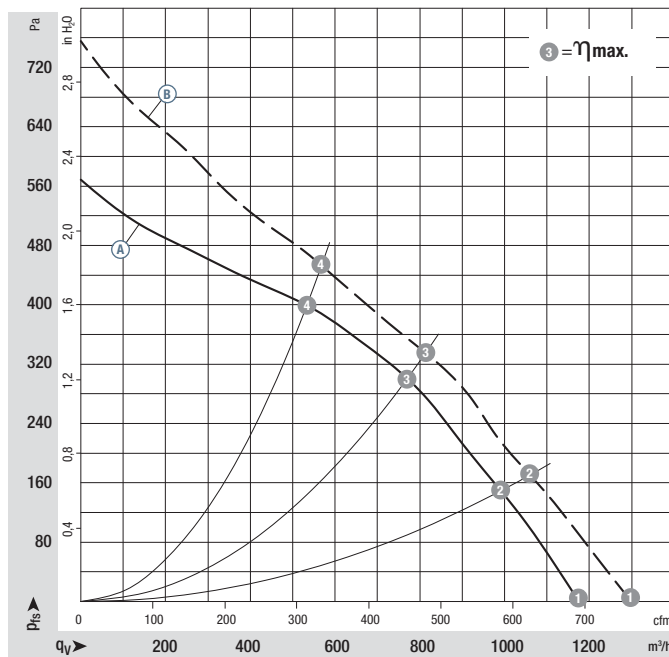
- **Material:** Housing: Plastic PA 6, fibreglass-reinforced
Impeller: Plastic PA 6, fibreglass-reinforced
Rotor: Coated in black
- **Number of blades:** 7
- **Direction of rotation:** Clockwise, seen on rotor
- **Type of protection:** IP 44, depending on installation and position in acc. to EN 60034-5
- **Insulation class:** "B"
- **Mounting position:** any
- **Condensate discharges:** Rotor-side
- **Mode of operation:** Continuous operation (S1)
- **Bearings:** Maintenance-free ball bearings

Nominal data		Curve	Nominal voltage	Frequency	Speed/rpm ⁽¹⁾	Max. input power ⁽¹⁾	Max. current draw ⁽¹⁾	Capacitor	Perm. amb. temp.	Electrical connection
Type	Motor	VAC	Hz	rpm	W	A	µF/VDB	°C	p. 170	
*2E 225	M2E 068-DF	Ⓐ 1~ 230	50	2500	155	0,68	3,5 / 450	-25..+70	A1)	
		Ⓑ 1~ 230	60	2600	210	0,92	3,5 / 450	-25..+65		

subject to alterations

(1) Nominal data in operating point with maximum load and 230 VAC

Curves:

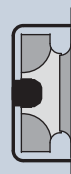


	n rpm	P _{ed} W	I A	L _{WA} dB(A)
Ⓐ ①	2660	130	0,57	73
Ⓐ ②	2575	145	0,64	72
Ⓐ ③	2500	155	0,68	66
Ⓐ ④	2590	145	0,63	69
Ⓑ ①	2900	190	0,83	76
Ⓑ ②	2735	205	0,89	73
Ⓑ ③	2600	210	0,92	68
Ⓑ ④	2750	200	0,88	71

- **Motor protection:** TOP wired internally
- **Touch current:** < 0,75 mA acc. to IEC 60990 (test circuit, illustration 4)
- **Cable exit:** Variable (R2E)
- **Connection leads:** Plug system (K2E)
- **Protection class:** I (if customer has provided connection for protective earth)
- **Product conforming to standards:** EN 60335-1, CE
- **Approvals:** CCC



Mass of centrifugal fan



Mass of centrifugal module with support basket

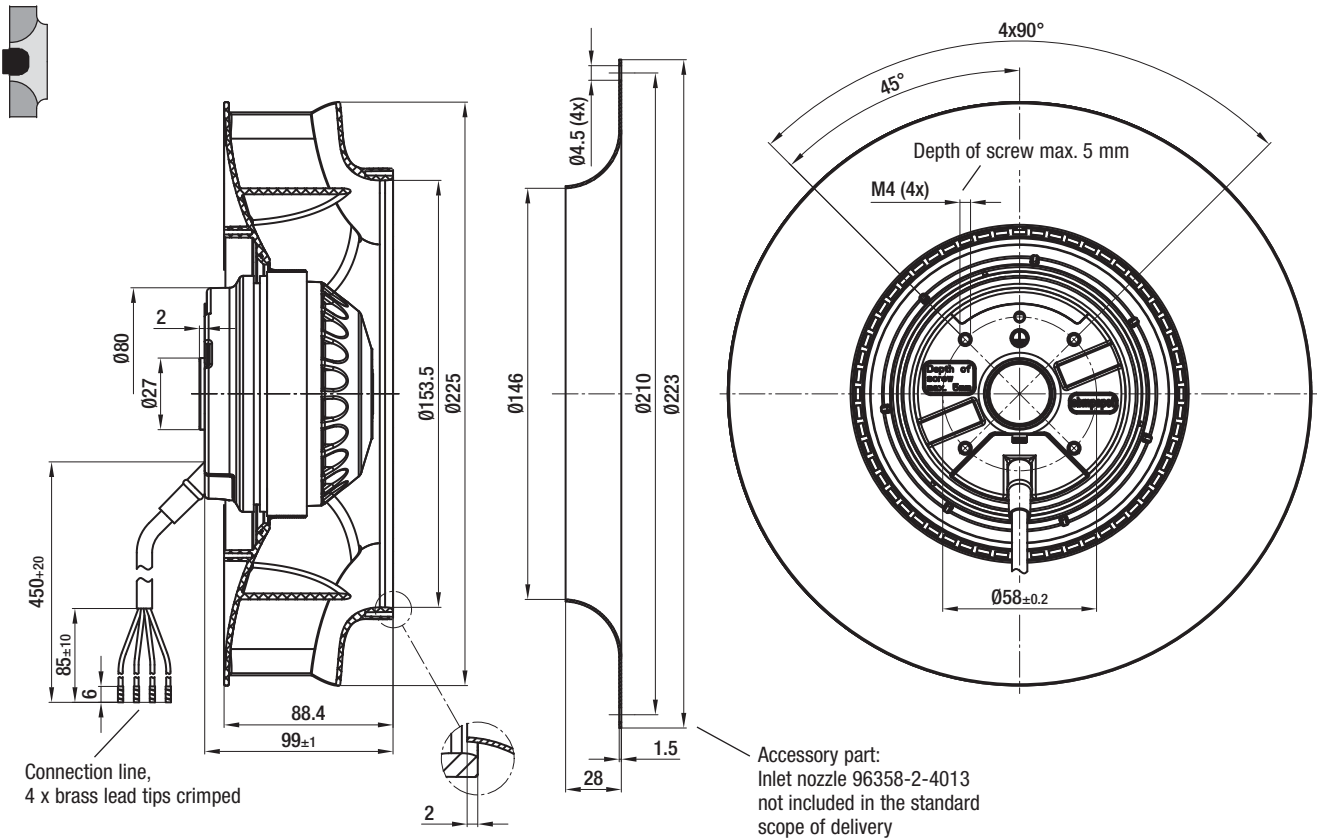
Centrifugal fan	kg	Centrifugal module w. support basket	kg
R2E 225-RA92 -09	2,30	K2E 225-RA92 -01	3,40

AC centrifugal fans – RadiCal

backward curved, Ø 225



R2E 225-RA92-09 (Centrifugal fan)



K2E 225-RA92-01 (Centrifugal module with support basket)

