

# Circulation blower for hot air

R2A150AC; R2A150AA



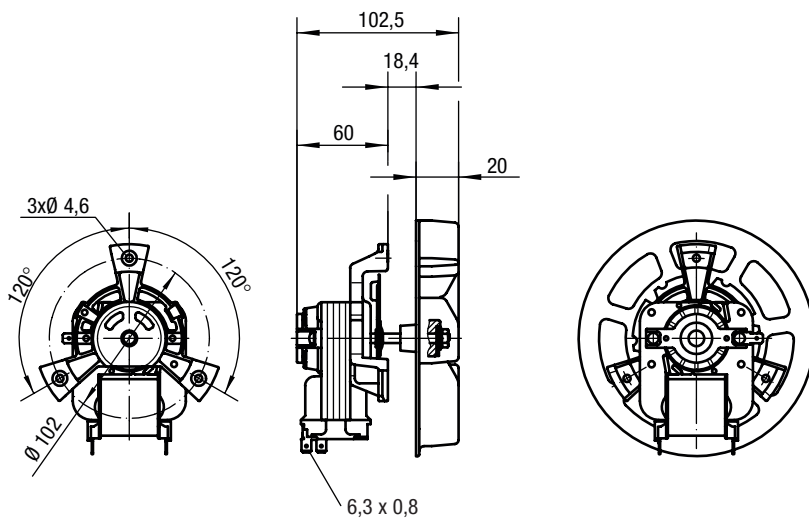
- **General description:** Impeller: Die-cast aluminum
- **Bearings:** Porous calotte sleeve bearing with lubricant depot
- **Electrical connection:** Flat plug 6.3 x 0.8

## Nominal data

Type	Motor	Voltage VAC	Frequency Hz	Air flow m <sup>3</sup> /h	Speed 1/min	Power consumption W	Weight kg
R2A150-AA	--	230	50	190	2000	30	1.10

Subject to modification

## Specific drawing



## Technical description

- **General description:** Impeller: Die-cast aluminum
- **Electrical connection:** Flat plug 6.3 x 0.8
- **Insulation class:** "H"
- **Bearings:** Porous calotte sleeve bearing with lubricant depot
- **Installation orientation:** Shaft horizontal