

Circulation blower for hot air



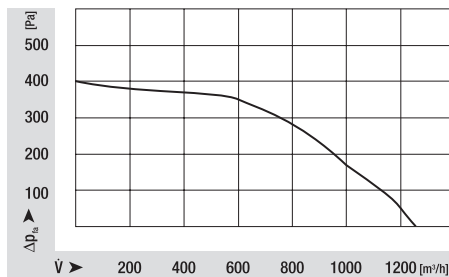
- **Impeller material:** Hot air impeller of stainless steel
- **Bearings:** Maintenance-free ball bearings
- **Direction of rotation:** Right, looking at hot air impeller

Nominal data

Type	Motor	Voltage 3 - VAC	Frequency Hz	Air flow m ³ /h	Speed 1/min	Power consumption W	Current draw A	Operative range 50Hz Pa	Weight kg
R2D225AG0210	M2D068EC	230/400	50	1265	2700	165	0.29	0 .. 400	4.0

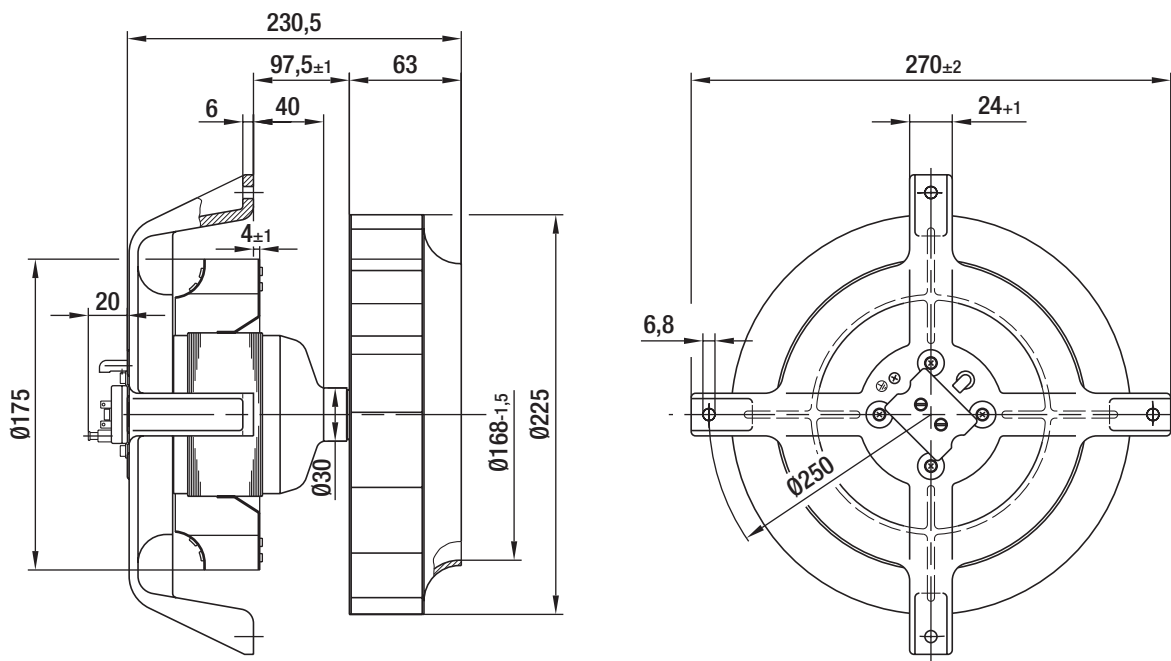
Subject to modification

Characteristic: Pressure over air flow at 50Hz

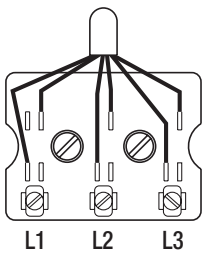


Circulation blower for hot air

Specific drawing



Connection illustration



Technical description

- **Impeller material:** Hot air impeller of stainless steel
- **Direction of rotation:** Right, looking at hot air impeller
- **Bearings:** Maintenance-free ball bearings
- **Electrical connection:** Terminal strip