

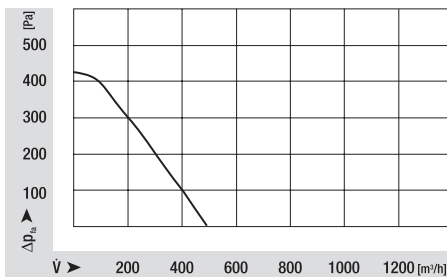
Circulation blower for hot air



- **Impeller material:** Hot air impeller of stainless steel
- **Bearings:** Maintenance-free ball bearings
- **Direction of rotation:** Left, looking at hot air impeller

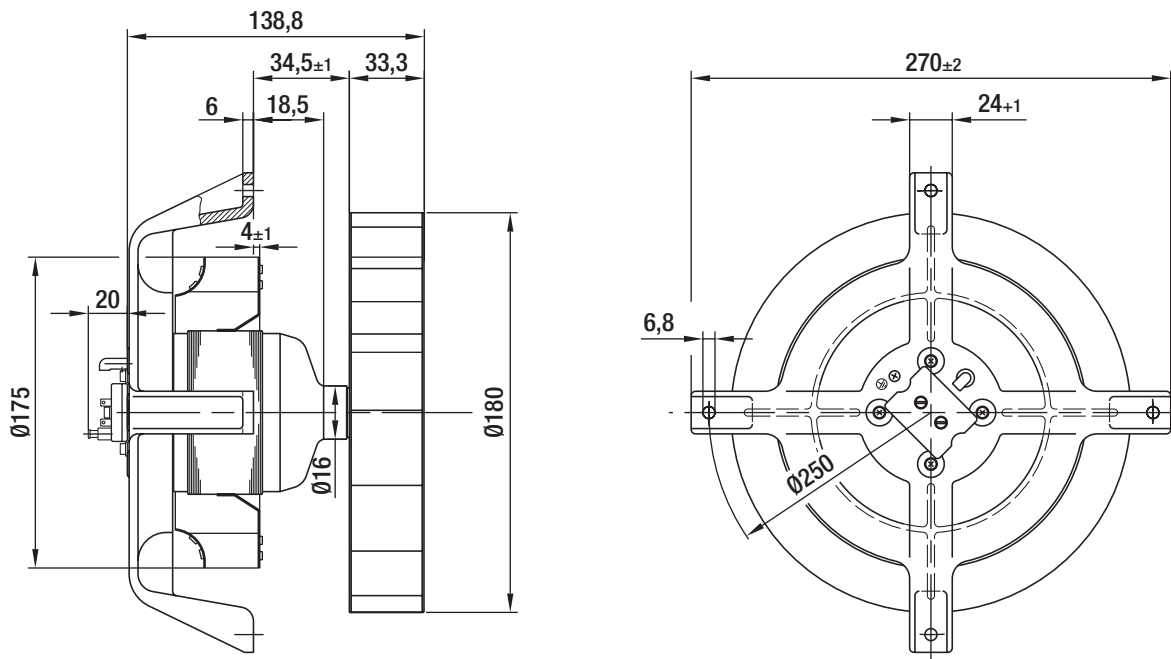
Nominal data		Voltage	Frequency	Air flow	Speed	Power consumption	Current draw	Capacitor capacity	Operative range 50Hz	Weight
Type	Motor	1 - VAC	Hz	m ³ /h	1/min	W	A	uF/V	Pa	kg
R2E180AH0506	M2E068DF	230	50	480	2600	115	0.51	3.0 / 400	0.. 420	3.1
Subject to modification										

Characteristic: Pressure over air flow at 50Hz

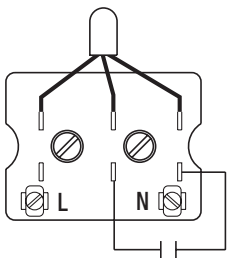


Circulation blower for hot air

Specific drawing



Connection illustration



Technical description

- **Impeller material:** Hot air impeller of stainless steel
- **Direction of rotation:** Left, looking at hot air impeller
- **Bearings:** Maintenance-free ball bearings
- **Electrical connection:** Terminal strip