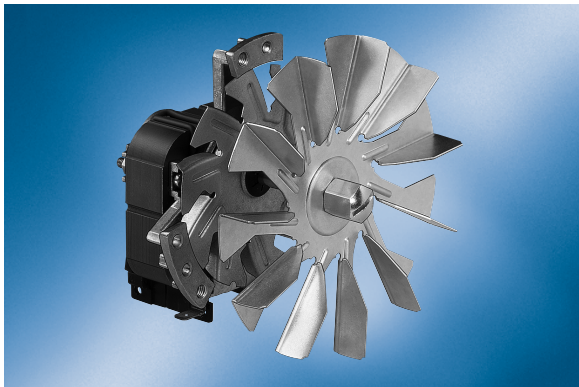


Circulation blower for hot air

RRL120; RRL140



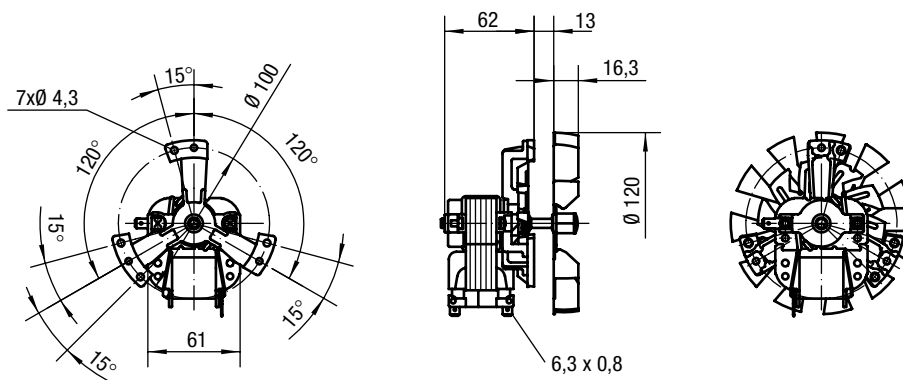
- **General description:** Impeller: Fire-aluminized sheet steel
- **Bearings:** Porous calotte sleeve bearing with lubricant depot
- **Electrical connection:** Flat plug 6.3 x 0.8

Nominal data

Type	Motor	Voltage VAC	Frequency Hz	Air flow m³/h	Speed 1/min	Power consumption W	Weight kg
RRL120-3020LH	--	230	50	100	2000	29	0.75

Subject to modification

Specific drawing



Technical description

- **General description:** Impeller: Fire-aluminized sheet steel
- **Electrical connection:** Flat plug 6.3 x 0.8
- **Insulation class:** "H"
- **Bearings:** Porous calotte sleeve bearing with lubricant depot
- **Installation orientation:** Shaft horizontal