

Circulation blower for hot air

RRL152; RRL160



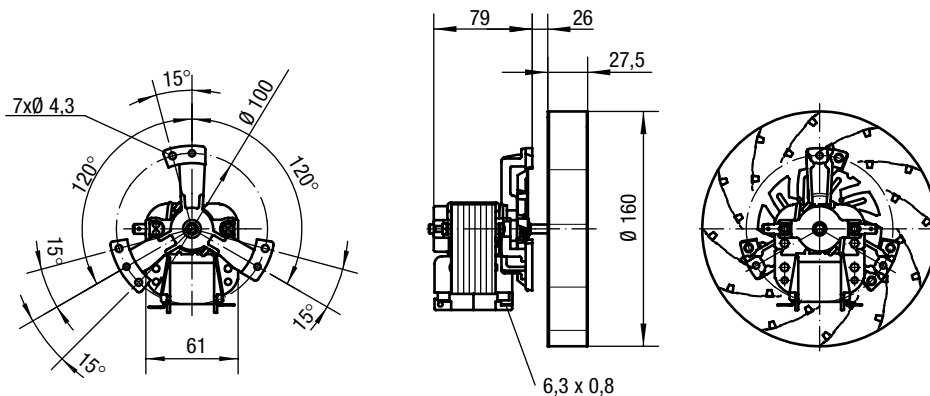
- **General description:** Impeller: Galvanized sheet steel
- **Bearings:** Porous calotte sleeve bearing with lubricant depot
- **Electrical connection:** Flat plug 6.3 x 0.8

Nominal data

Type	Motor	Voltage VAC	Frequency Hz	Air flow m ³ /h	Speed 1/min	Power consumption W	Weight kg
RRL160-3038LH	--	230	50	210	1600	37	1.40

Subject to modification

Specific drawing



Technical description

- **General description:** Impeller: Galvanized sheet steel
- **Electrical connection:** Flat plug 6.3 x 0.8
- **Insulation class:** "H"
- **Bearings:** Porous calotte sleeve bearing with lubricant depot
- **Installation orientation:** Shaft horizontal